

PART NUMBER

KCC189606

REV.

DATE

COMMENTS

INITIAL

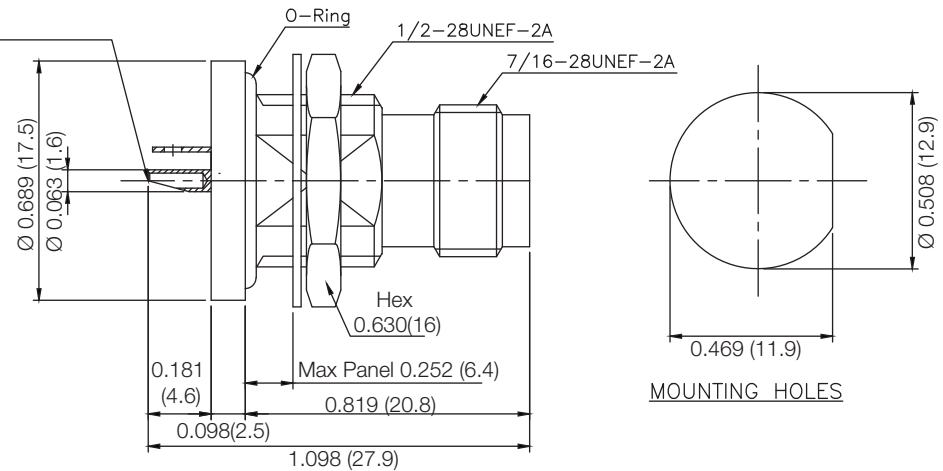
Electrical Data

Impedance	Non-Constant Impedence
Frequency Range	DC - 0.5 GHz.
Voltage Rating	500V RMS
Insulation Resistance	5,000 MΩ min

RoHS Compliant**Mechanical Data**

Temperature Range:	-45 °C - 145 °C
--------------------	-----------------

SOLDER POT ACCEPTS
Ø 0.050 (1.27) DIA CONDUCTOR



Drawing not to scale. Dimensions for reference only

Units: inches (mm)

Konnect RF

WWW.KONNECTRF.COM
1-800-790-5887

PART NUMBER

KCC189606

DESCRIPTION

TNC Triax Straight Female Jack Receptacle, Bulkhead, Solder Pot

CAGE CODE

664U0

SIGNATURE

X**Component**

Body, Nut & Washer
Outer Contact
Center Contact

Material

Brass per QQ-B-626
Brass per QQ-B-626
BeCu per ASTM B194

Plating

Silver Plated per QQ-S-365
Silver Plated per QQ-S-365
Gold Plated 0.04-0.06um Per
MIL-G-45204, Over Nickel Plated 2-4um
per QQ-N-290

Insulator

PTFE fluorocarbon
per ASTM D 1710
& ASTM D 1457

O- Ring

Silicone Rubber

THIS DRAWING INCLUDING THE
DESIGNS IS THE PROPERTY OF
KONNECT RF AND IS NOT TO
BE USED FOR ANY PURPOSE
WITHOUT OUR APPROVAL.