

PART NUMBER

**KCC189605**

REV.

DATE

COMMENTS

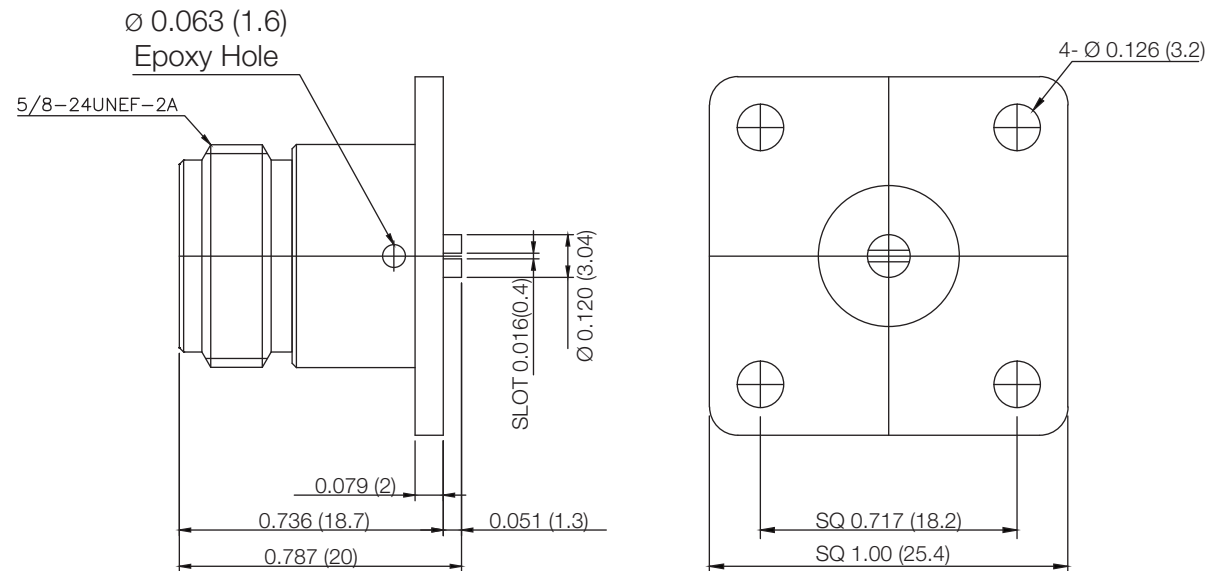
INITIAL

**Electrical Data**

Impedance	50 $\Omega$
Frequency Range	DC - 11 GHz.
Insulation Loss	0.2dB @ 4GHz Max
Insulation Resistance	5,000 M $\Omega$
Peak Power	3KW
Dielectric Withstanding Voltage	1,000V
Working Voltage	335V
VSWR	1.30 @ 4GHz Max

**Mechanical Data**

Durability	$\geq 500$ Cycles Min.
Temperature Range:	-55 $^{\circ}$ C - 155 $^{\circ}$ C

**RoHS Compliant**

Drawing not to scale. Dimensions for reference only

Units: inches (mm)

**Konnect RF**

WWW.KONNECTRF.COM  
1-800-790-5887

PART NUMBER

**KCC189605**

DESCRIPTION

**N Straight Female Jack Receptacle,  
4 Hole Flange Mount Slot , Epoxy Captivated**

CAGE CODE

**664U0**

SIGNATURE

X

THIS DRAWING INCLUDING THE  
DESIGNS IS THE PROPERTY OF  
KONNECT RF AND IS NOT TO  
BE USED FOR ANY PURPOSE  
WITHOUT OUR APPROVAL.

**Component**  
Body  
Center Contact  
Insulator

**Material**  
Brass  
BeCu  
PTFE

**Plating**  
Nickel  
Gold