

PART NUMBER

KCC189599

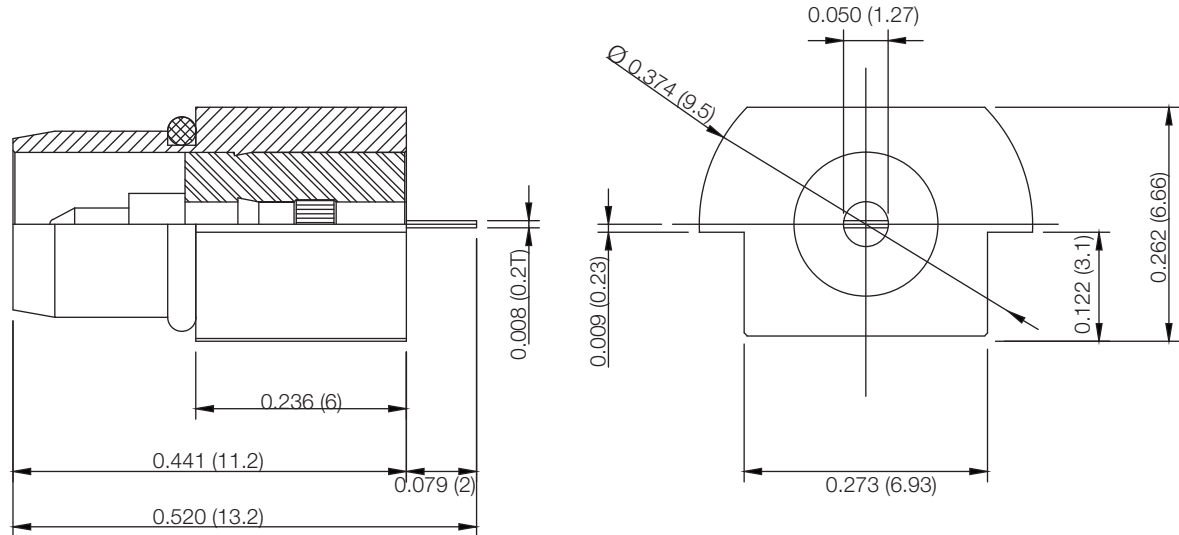
REV.	DATE	COMMENTS	INITIAL
A	03/29/2023	Added Mechanically Captive Center Contact.	<i>MP</i>

Electrical Data

Impedance	50Ω
Frequency Range	DC - 18 GHz.
Insulation Resistance	5,000 MΩ
Dielectric Withstanding Voltage	750 VRMS
VSWR	1.05 + 0.01F
	(F Operating Frequency in GHz)

Mechanical Data

Temperature Range: -55 °C - 125 °C

RoHS Compliant

Drawing not to scale. Dimensions for reference only

Units: inches (mm)

Mechanically Captive Center Contact**Konnect RF**

WWW.KONNECTRF.COM
1-800-790-5887

PART NUMBER

KCC189599

DESCRIPTION

BMA Straight Female Plug PC Board Receptacle

CAGE CODE

664U0

SIGNATURE

X

THIS DRAWING INCLUDING THE
DESIGNS IS THE PROPERTY OF
KONNECT RF AND IS NOT TO
BE USED FOR ANY PURPOSE
WITHOUT OUR APPROVAL.

Component

Body
Center Contact
Insulator
O-Ring

Material

Stainless Steel
BeCu
PTFE
Silicone Rubber

Plating

Gold
Gold