

PART NUMBER

**KCC189547**

REV.

DATE

COMMENTS

INITIAL

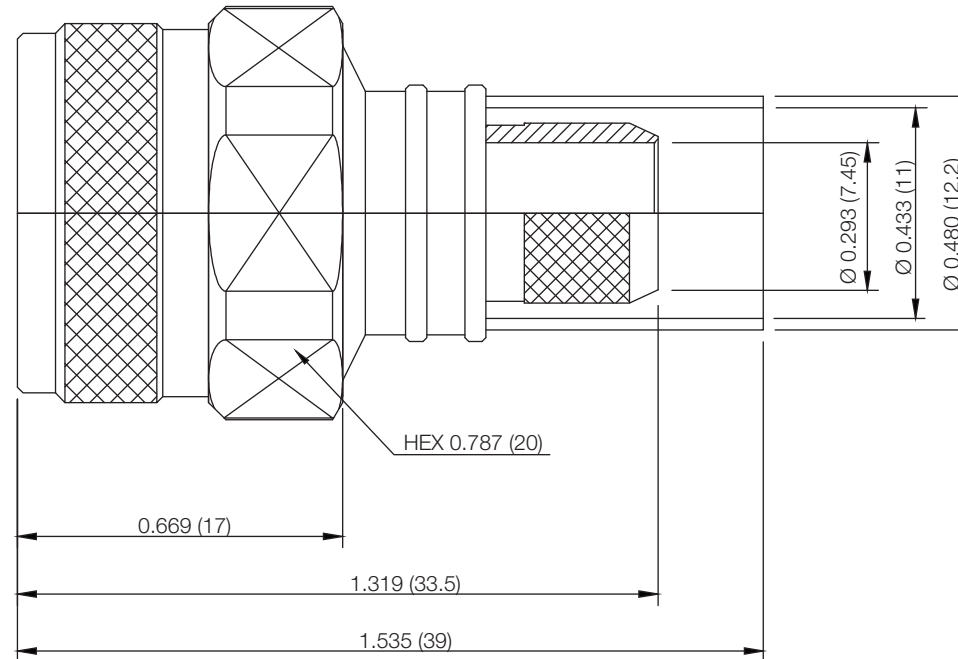
**Electrical Data**

Impedance 50  $\Omega$   
 Frequency Range DC - 6 GHz.  
 Working Voltage 1500 VRMS  
 VSWR 1.25:1 up to 6 GHz max

**Mechanical Data**

Temperature Range: -55 °C - 155 °C

RoHS Compliant



**VSWR and Frequency Range Specifications are for reference and are dependant on cable type and other application specific conditions**

**Drawing not to scale. Dimensions for reference only**

**Units: inches (mm)**

**WWW.KONNECTRF.COM**  
**1-800-790-5887**

PART NUMBER

**KCC189547**

DESCRIPTION

**N Straight Male Plug, White Bronze/Brass,  
 Crimp, Waterproof (IP67)**

CAGE CODE

**664U0**

SIGNATURE

X

**Cables: RG-214**

Component	Material	Plating
Body	Brass	White Bronze
Center Contact	Brass (C3601)	Gold
Insulator	PTFE	
Gasket	Silicone Rubber	
Ferrule	Brass	Nickel
Coupling Cap	Brass	White Bronze

THIS DRAWING INCLUDING THE  
 DESIGNS IS THE PROPERTY OF  
 KONNECT RF AND IS NOT TO  
 BE USED FOR ANY PURPOSE  
 WITHOUT OUR APPROVAL.