

PART NUMBER

KCC189508

REV.

DATE

COMMENTS

INITIAL

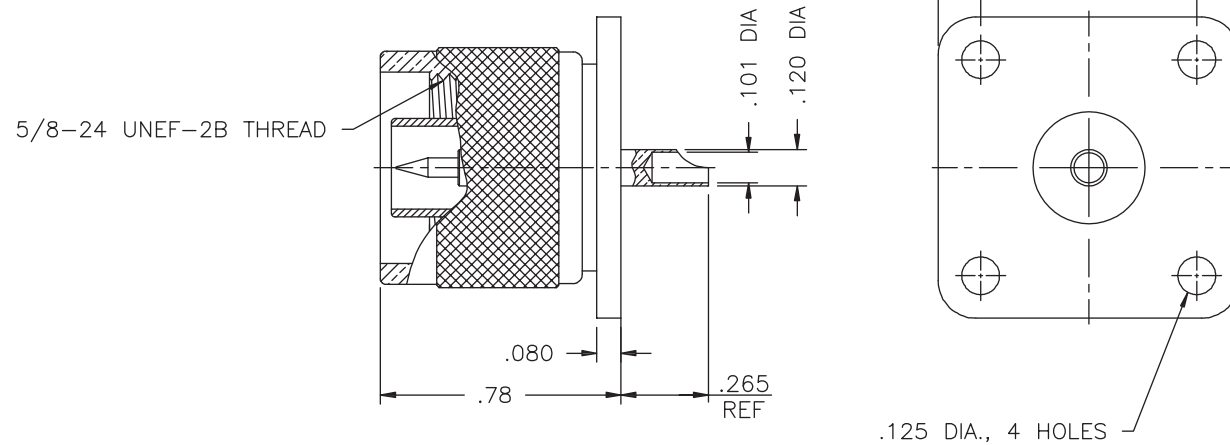
Electrical Data

Impedance 50 Ω
 Frequency Range DC - 11 GHz.
 Insulation Resistance 5,000 M Ω min
 Dielectric Withstanding Voltage 1,000 V Max @ Sea Level

Mechanical Data

Durability 500 Cycles
 Temperature Range: -55 °C - 165 °C

RoHS Compliant



Drawing not to scale. Dimensions for reference only

Units: inches

Konnect RF

WWW.KONNECTRF.COM
 1-800-790-5887

PART NUMBER

KCC189508

DESCRIPTION

**N Straight Male Plug (Knurl Round Sleeve)
 Receptacle, 4 Hole Flange Mount, Solder Pot**

CAGE CODE

664U0

SIGNATURE

X

THIS DRAWING INCLUDING THE
 DESIGNS IS THE PROPERTY OF
 KONNECT RF AND IS NOT TO
 BE USED FOR ANY PURPOSE
 WITHOUT OUR APPROVAL.

Component
 Body & Nut
 Center Contact
 Insulator

Material
 Brass
 Brass
 PTFE

Plating
 White Bronze
 Gold