

PART NUMBER

KCC189506

REV.

DATE

COMMENTS

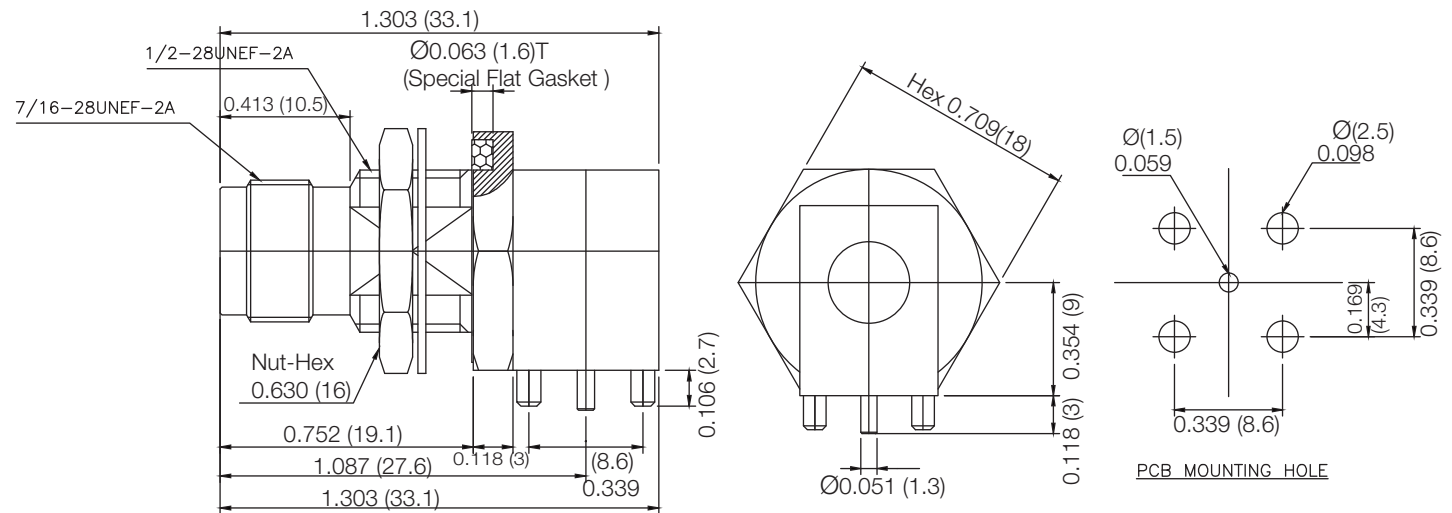
INITIAL

Electrical Data

Impedance	50 Ω
Frequency Range	DC - 4.0 GHz.
Contact Current	DC-3.5A max
Insertion Loss	0.25 dB max
Voltage Rating	500 VRMS
Contact Resistance	
Center	≤ 1.5 m Ω
Outer	≤ 1.0 m Ω
Insulation Resistance	5,000M Ω min
VSWR	≤ 1.35

Mechanical Data

Temperature Range: -40 °C - 145 °C



Drawing not to scale. Dimensions for reference only

Units: inches (mm)

Konnect RF

WWW.KONNECTRF.COM
1-800-790-5887

PART NUMBER

KCC189506

DESCRIPTION

**TNC Right Angle Female Jack 4 Leg PC Board Receptacle,
Bulkhead Rear Mount, Special Flat Gasket**

CAGE CODE

664U0

SIGNATURE

X

THIS DRAWING INCLUDING THE
DESIGNS IS THE PROPERTY OF
KONNECT RF AND IS NOT TO
BE USED FOR ANY PURPOSE
WITHOUT OUR APPROVAL.

Component

Body
Center Contact
Insulator
Gasket

Material

Brass
BeCu
PTFE
Silicone Rubber

Plating

Nickel
Gold