

PART NUMBER

KCC189479

REV.

DATE

COMMENTS

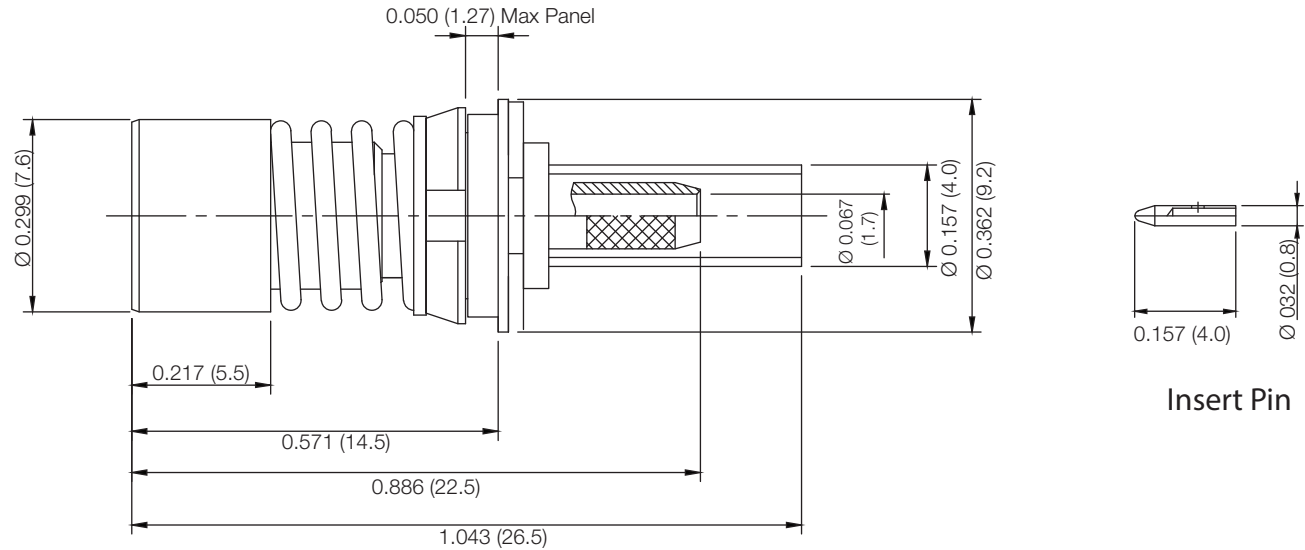
INITIAL

Electrical Data

Impedance	50 Ω
Frequency Range	DC - 18 GHz.
Insertion Loss	$0.35x \sqrt{f(\text{GHz})}$
Voltage Rating	250 VRMS
Dielectric Withstanding Voltage	750 VRMS
VSWR	$1.20+0.1f(\text{GHz})$

Mechanical Data

Temperature Range:	-55 °C - 125 °C
--------------------	-----------------

RoHS Compliant

Drawing not to scale. Dimensions for reference only

Units: inches (mm)

Konnect RF

WWW.KONNECTRF.COM
1-800-790-5887

PART NUMBER

KCC189479

DESCRIPTION

BMA Straight Female Plug, Bulkhead Panel Mount

CAGE CODE

664U0

SIGNATURE

X

THIS DRAWING INCLUDING THE
DESIGNS IS THE PROPERTY OF
KONNECT RF AND IS NOT TO
BE USED FOR ANY PURPOSE
WITHOUT OUR APPROVAL.

Cable Types: RG-316**Component**

Body
Center Contact
Outer Contact
Insulator
Spring
Ferrule

Material

Stainless Steel
BeCu
BeCu
PTFE
Stainless Steel
Brass

Plating/Finish

Passivated
Gold
Gold (Without Nickel)
Nickel
Nickel