

PART NUMBER

KCC189454

REV.

DATE

COMMENTS

INITIAL

RoHS Compliant

Electrical Data

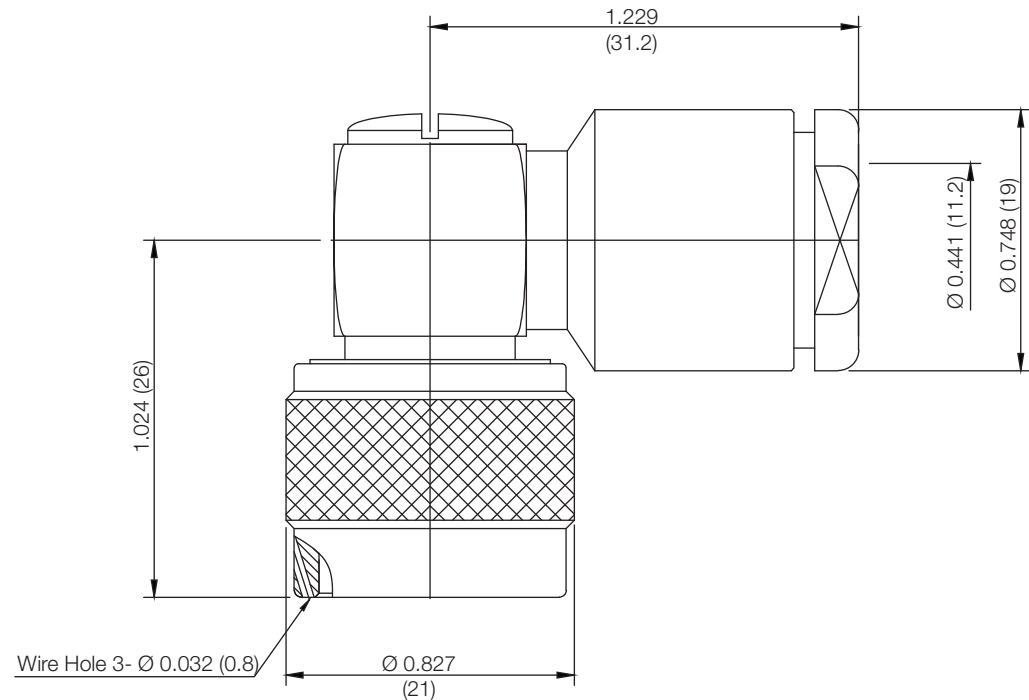
Impedance	50 Ω
Frequency Range	DC - 11 GHz
Insertion Loss	≤ 0.15 dB @ 9 GHz
Contact Resistance:	
Center Contact	2.0 MΩ
Outer Contact	0.2 MΩ
Voltage Rating	1000 VRMS
Insulation Resistance	5000 MΩ
VSWR	≤ 1.5
Contact Current	DC 3.5A Max
RF Leakage	-90 dBm min. from 2-3 GHz
Power Handling	200 Watts Min @ 2 GHz

Mechanical Data

Temperature Range	-65 °C - 125 °C
Coupling Nut Torque	20 Ncm- 170 Ncm
Coupling Nut Retention Force	450N
Life	500 matings
Contact Captivation	≥ 27 N

Environmental Data

Corrosion Resistance	MIL-STD-202, Method 101, Condition B.
Moisture Resistance	MIL-STD-202, Method 106
Thermal Shock	MIL-STD-202, Method 107, Condition B
Vibration	MIL-STD-202, Method 204, Condition B
Shock	MIL-STD-202, Method 213, Condition I



VSWR and Frequency Range Specifications are for reference and are dependant on cable type and other application specific conditions

Drawing not to scale. Dimensions for reference only Units: inches (mm)

WWW.KONNECTRF.COM
1-800-790-5887

PART NUMBER

KCC189454

DESCRIPTION

N Right Angle Male Plug, Clamp, lock-wire holes

CAGE CODE

664U0

SIGNATURE

X

Cable Types: LMR-400, RG213,214**Component**

Body
Coupling Cap
Center Contact
Insulator
Seal

Material

Brass
Brass
Brass
PTFE
Silicon Rubber

Plating

Silver
Silver
Gold

THIS DRAWING INCLUDING THE DESIGNS IS THE PROPERTY OF KONNECT RF AND IS NOT TO BE USED FOR ANY PURPOSE WITHOUT OUR APPROVAL.