

PART NUMBER

KCC189448

REV.

DATE

COMMENTS

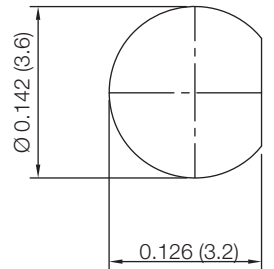
INITIAL

Electrical Data

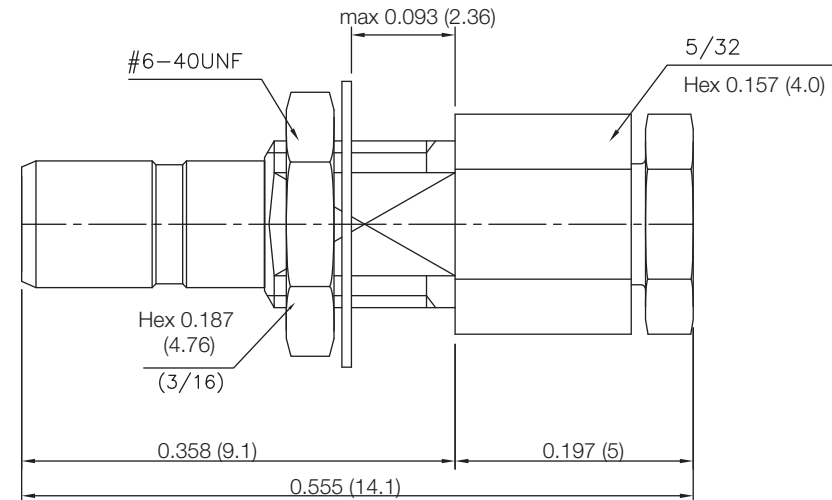
Impedance 50 Ω
 Frequency Range DC-12.4GHz

RoHS Compliant**Mechanical Data**

Durability 500 Cycles Min.
 Temperature Range: -65 °C - 165 °C



Panel Mounting



VSWR and Frequency Range Specifications are for reference and are dependant on cable type and other application specific conditions

Drawing not to scale. Dimensions for reference only

Units: inches (mm)

Konnect RF

WWW.KONNECTRF.COM
 1-800-790-5887

PART NUMBER

KCC189448

DESCRIPTION

SSMB Straight Male Jack, Bulkhead Panel Mount, Clamp, Captivated Contact

CAGE CODE

664U0

SIGNATURE

X

THIS DRAWING INCLUDING THE DESIGNS IS THE PROPERTY OF KONNECT RF AND IS NOT TO BE USED FOR ANY PURPOSE WITHOUT OUR APPROVAL.

Cable Types: .085 S/R (RG405)

Component	Material	Plating
Body, Nut & Washer	Brass	Gold
Clamp Nut	Brass	Gold
Center Contact	Brass	Gold
Insulator	PTFE	