

PART NUMBER

KCC189447

REV.

DATE

COMMENTS

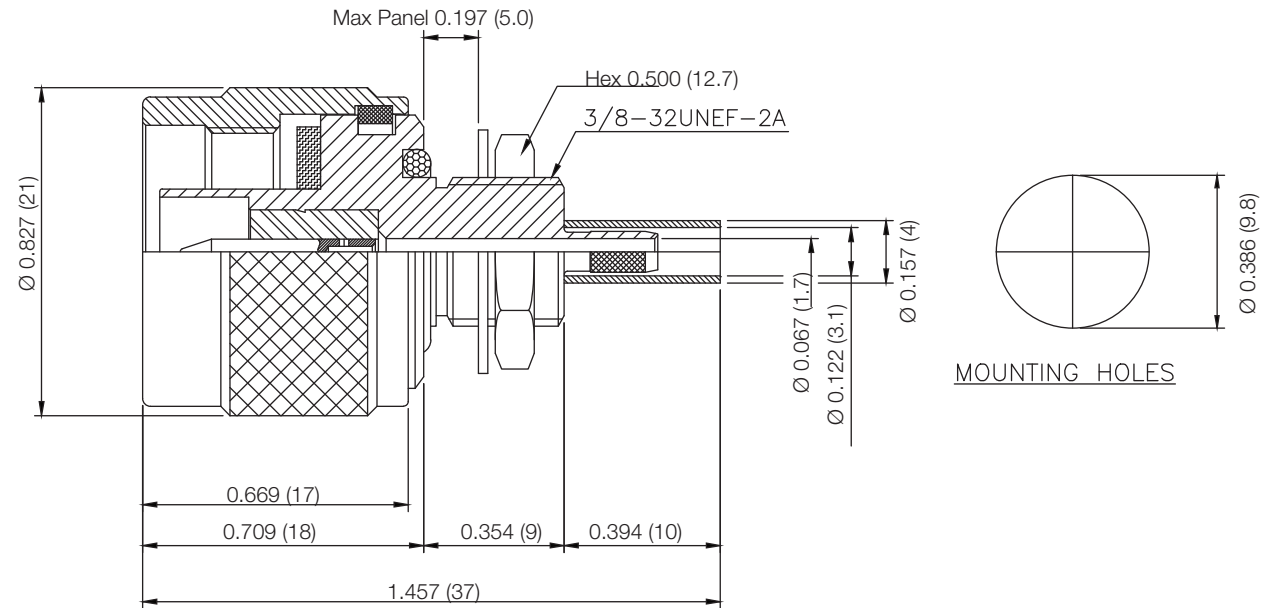
INITIAL

Electrical Data

Impedance 50 Ω
 Frequency Range DC - 6 GHz.
 Working Voltage 1,000 VRMS
 VSWR 1.25 max @ 2.5 GHz

Mechanical Data

Temperature Range: -55 °C - 165 °C

RoHS Compliant

VSWR and Frequency Range Specifications
 are for reference and are dependant on cable
 type and other application specific conditions

Drawing not to scale. Dimensions for reference only

Units: inches (mm)

WWW.KONNECTRF.COM
 1-800-790-5887

PART NUMBER

KCC189447

DESCRIPTION

N Straight Male Plug, Bulkhead Rear Mount, Crimp

CAGE CODE

664U0

SIGNATURE

X

THIS DRAWING INCLUDING THE
 DESIGNS IS THE PROPERTY OF
 KONNECT RF AND IS NOT TO
 BE USED FOR ANY PURPOSE
 WITHOUT OUR APPROVAL.

Cable Types: RG-316

Component

Body, Nut & Washer
 Coupling Cap
 Center Contact
 Ferrule
 Insulator

Material

Brass
 Brass
 Brass
 Brass
 PTFE

Plating

Nickel
 Nickel
 Gold
 Nickel