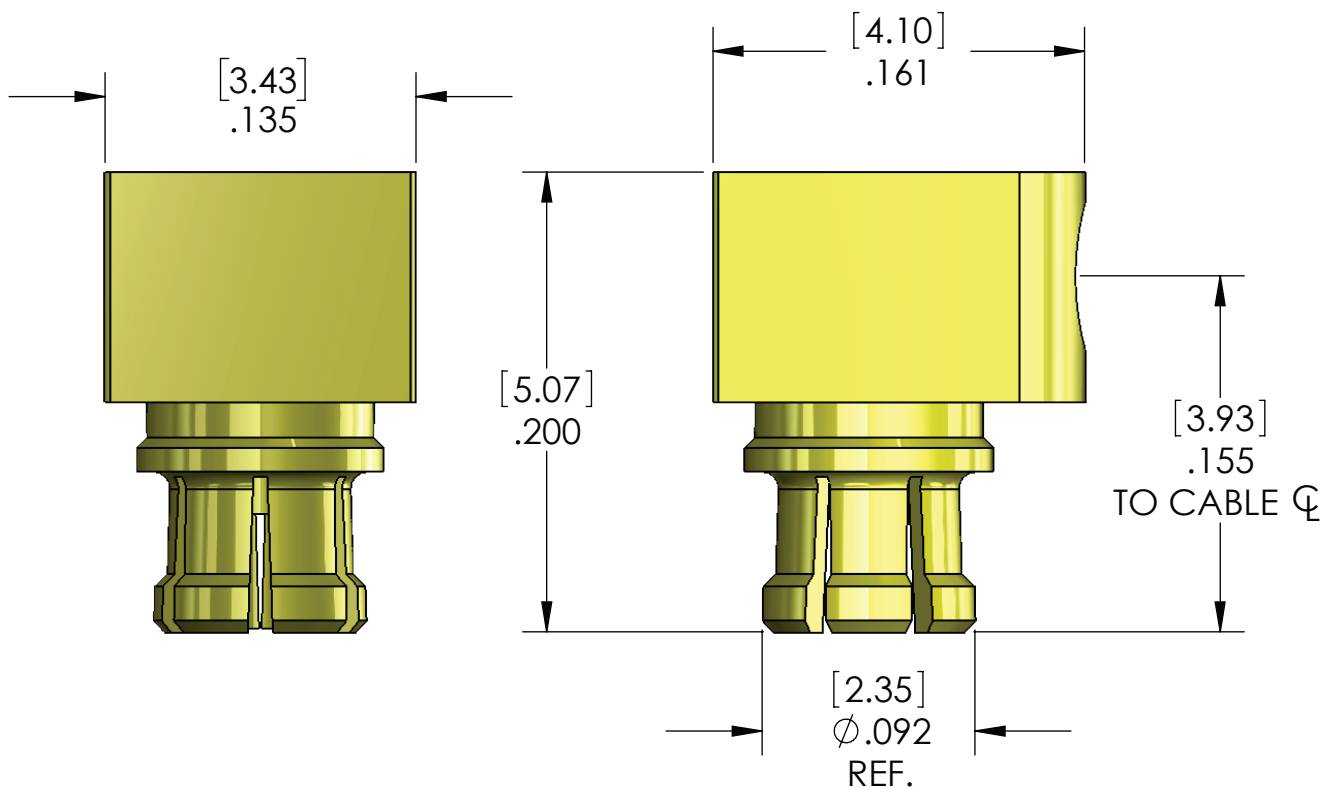


## CONNECTOR SPECIFICATION

## SMPM RIGHT ANGLE FEMALE



PART NUMBER	CABLE
KCC189436	047 SEMI-RIGID

### ELECTRICAL PERFORMANCE

### MECHANICAL CHARACTERISTICS

NOMINAL IMPEDANCE	50 OHMS
FREQUENCY RANGE	DC-18 GHz
VSWR DC TO 18 GHz	1.25:1
INSERTION LOSS	$.03\sqrt{f}$ (GHz) dB MAX
DWV	1000 VOLTS
INSULATION RESISTANCE	5000 MILLIOHMS MIN

FORCE TO ENGAGE (FULL DETENT)	4 LBS TYP.
FORCE TO DISENGAGE (FULL DETENT)	7 LBS TYP.
MATE DEMATE CYCLES (FULL DETENT)	100 MIN.
CABLE RETENTION	20 LBS MIN
MASS	0.26 GRAMS

### MATERIALS

BODY	BERYLLIUM COPPER, GOLD OVER NICKEL PLATE
CONTACT	BERYLLIUM COPPER, GOLD OVER NICKEL PLATE
INSULATOR	PTFE

MADE IN THE U.S.A.