

PART NUMBER

KCC189429

REV.

DATE

COMMENTS

INITIAL

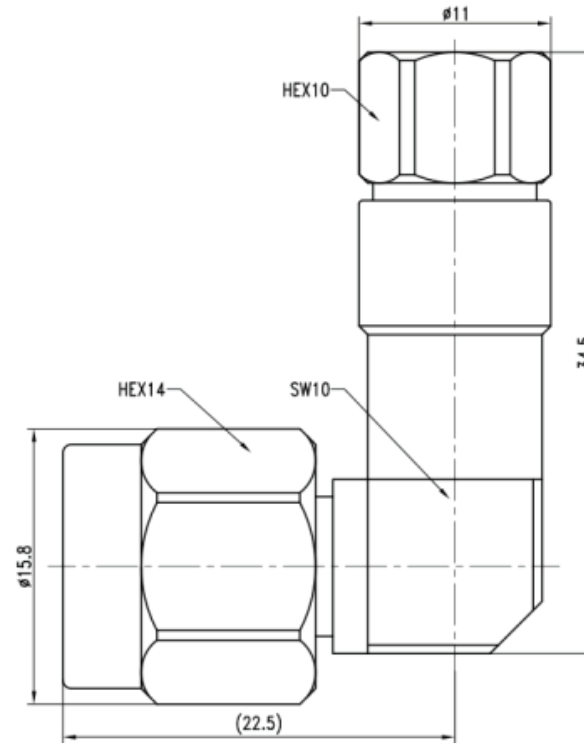
Electrical Data

Impedance	50 Ω
Frequency Range	DC - 18 GHz
Insulation Resistance	$\geq 5000 \text{ M}\Omega$
Dielectric Withstanding Voltage	1000 V
VSWR	$\leq 1.35:1$

Mechanical Data

Durability	500 Cycles
Temperature Range:	-55 °C - 165 °C

RoHS Compliant



VSWR and Frequency Range Specifications are for reference and are dependant on cable type and other application specific conditions

Drawing not to scale. Dimensions for reference only

Units: mm (inches)

WWW.KONNECTRF.COM
1-800-790-5887

PART NUMBER

KCC189429

DESCRIPTION

Cable Connector, TNC Right Angle Male Plug

CAGE CODE

664U0

SIGNATURE

X

Cable Types: Low Loss Cable (KRC177582)**Component**

Body, Nut
Center Contact
Insulator

Material

Stainless Steel
Brass
PTFE

Plating

Passivated
Gold

THIS DRAWING INCLUDING THE DESIGNS IS THE PROPERTY OF KONNECT RF AND IS NOT TO BE USED FOR ANY PURPOSE WITHOUT OUR APPROVAL.