

PART NUMBER

KCC189415

REV.

DATE

COMMENTS

INITIAL

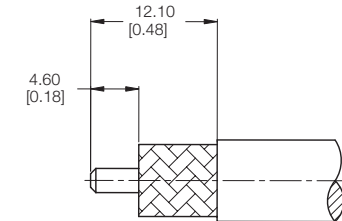
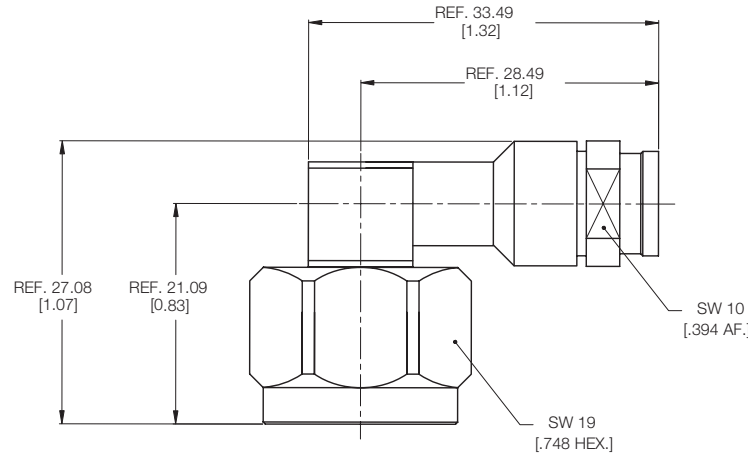
Electrical Data

Impedance 50 Ω
 Frequency Range DC - 18 GHz.
 VSWR ≤ 1.35

Mechanical Data

Temperature Range: -55 °C - 125 °C

RoHS Compliant



CABLE STRIPPING DIMENSIONS

VSWR and Frequency Range Specifications are for reference and are dependant on cable type and other application specific conditions

Drawing not to scale. Dimensions for reference only

Units: inches (mm)

WWW.KONNECTRF.COM
1-800-790-5887

PART NUMBER

KCC189415

DESCRIPTION

N Right Angle Male Plug, Solder

CAGE CODE

664U0

SIGNATURE

X

Cable: Gray FEP Jacket Flexible Coaxial Cable (KRC177897)**Component**

Body
 Center Contact
 Solder Ferrule
 Insulator

Material

Stainless Steel
 BeCu
 Brass
 PTFE

Plating

Passivated
 Gold
 Gold

THIS DRAWING INCLUDING THE DESIGNS IS THE PROPERTY OF KONNECT RF AND IS NOT TO BE USED FOR ANY PURPOSE WITHOUT OUR APPROVAL.