

PART NUMBER

KCC189413

REV.

DATE

COMMENTS

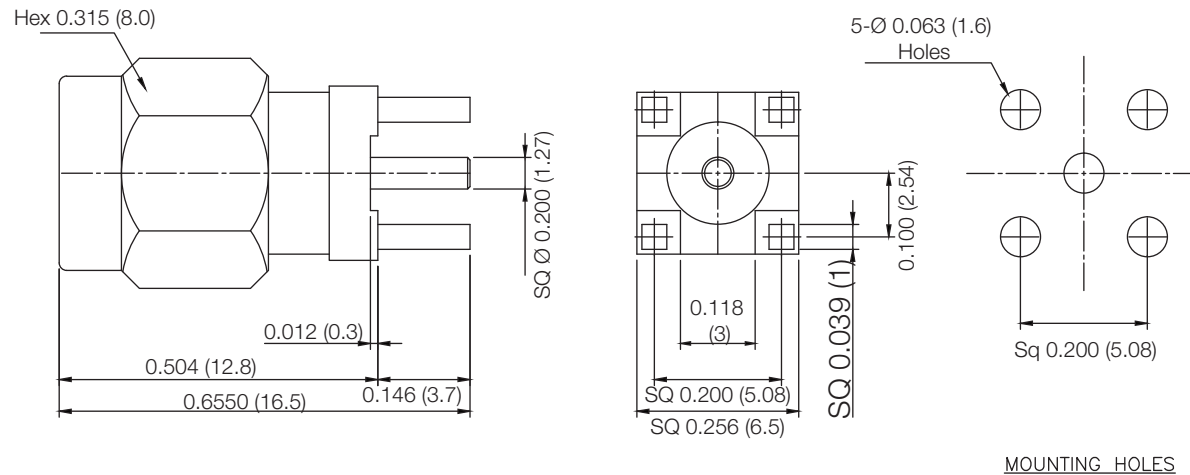
INITIAL

Electrical Data

Impedance 50 Ω
 Frequency Range DC - 18 GHz.
 Voltage Rating 500 Max
 Insulation Resistance 5,000 M Ω
 Dielectric Withstanding Voltage 750 VRMS
 VSWR 1.25 max @ 18GHz

Mechanical Data

Temperature Range: -65 °C - 165 °C
 IP67

RoHS Compliant

Drawing not to scale. Dimensions for reference only

Units: inches (mm)

Konnect RF

WWW.KONNECTRF.COM
 1-800-790-5887

PART NUMBER

KCC189413

DESCRIPTION

SMA Straight Male Plug, 4 Leg PC Board Receptacle

CAGE CODE

664U0

SIGNATURE

X

THIS DRAWING INCLUDING THE
 DESIGNS IS THE PROPERTY OF
 KONNECT RF AND IS NOT TO
 BE USED FOR ANY PURPOSE
 WITHOUT OUR APPROVAL.

Component

Body & Coupling Cap
 Center Contact
 Insulator

Material

Brass
 Brass
 PTFE

Plating

Gold
 Gold