

PART NUMBER

KCC189398

REV.

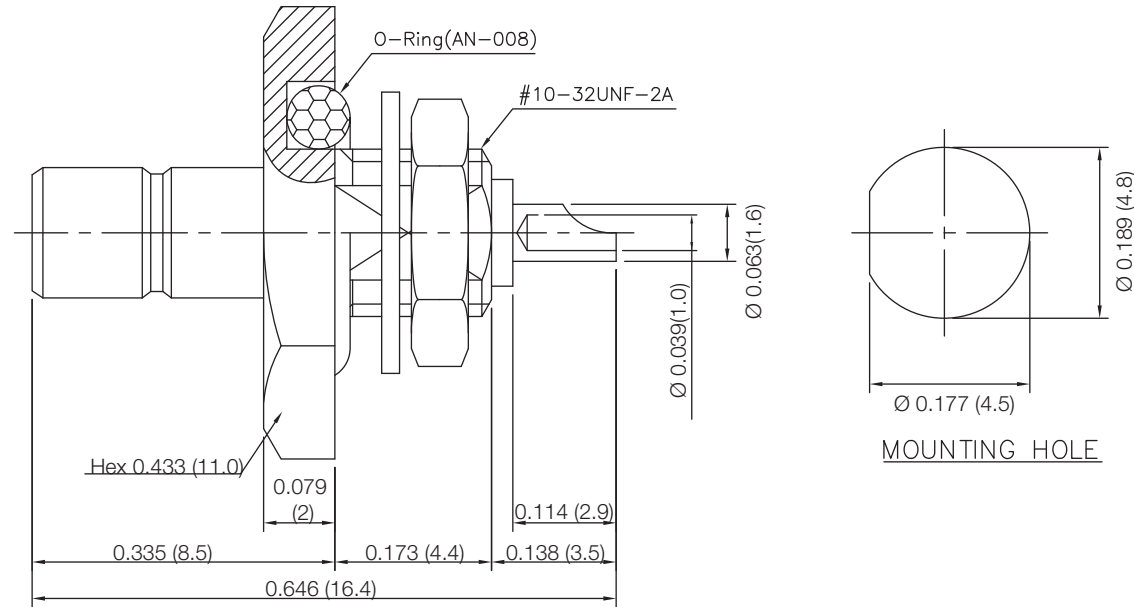
DATE

COMMENTS

INITIAL

Electrical Data

Impedance 50 Ω

RoHS Compliant

Drawing not to scale. Dimensions for reference only

Units: inches (mm)

Konnect RFWWW.KONNECTRF.COM
1-800-790-5887

PART NUMBER

KCC189398

DESCRIPTION

**SMB Straight Male Jack Receptacle, Bulkhead Front Mount,
O-Ring Seal, Solder Pot**

CAGE CODE

664U0

SIGNATURE

X

THIS DRAWING INCLUDING THE
DESIGNS IS THE PROPERTY OF
KONNECT RF AND IS NOT TO
BE USED FOR ANY PURPOSE
WITHOUT OUR APPROVAL.

Component

Body , Nut & Washer
Center Contact
Insulator
O-Ring

Material

Brass
Brass
PTFE
Silicone Rubber

Plating

Gold
Gold