

PART NUMBER

KCC189379

REV.

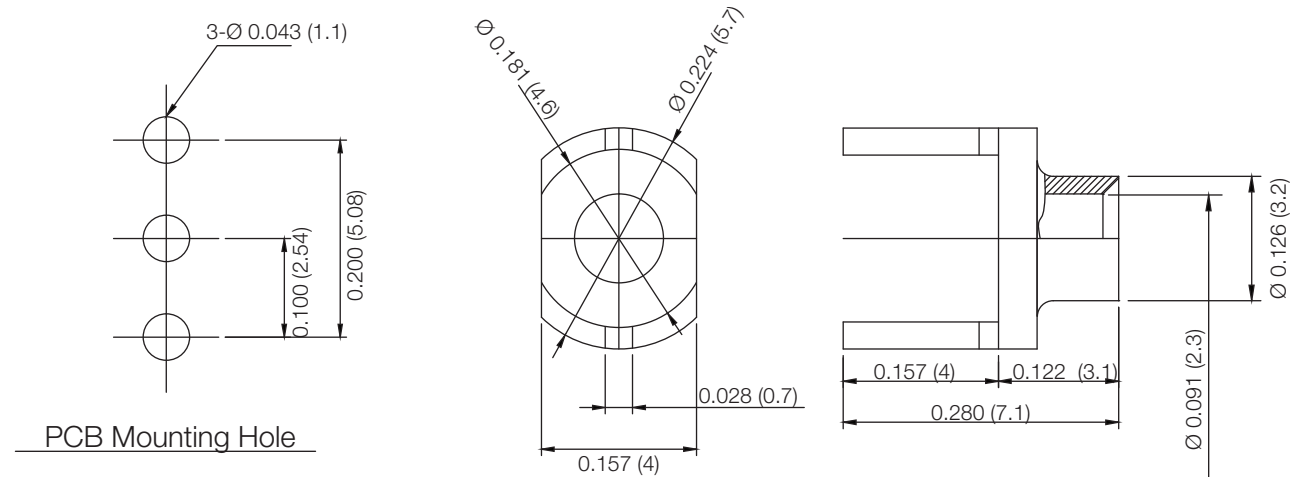
DATE

COMMENTS

INITIAL

Electrical Data

Impedance 50 Ω

RoHS Compliant

Drawing not to scale. Dimensions for reference only

Units: inches (mm)

Konnnect RF

WWW.KONNECTRF.COM
1-800-790-5887

PART NUMBER

KCC189379

DESCRIPTION

Cable Termination, PCB Mount

CAGE CODE

664U0

SIGNATURE

X

Cable Types: .085 S/R (RG-405)**Component****Material****Plating**

Body

Brass

Gold

Ferrule

Brass

Gold

THIS DRAWING INCLUDING THE DESIGNS IS THE PROPERTY OF KONNECT RF AND IS NOT TO BE USED FOR ANY PURPOSE WITHOUT OUR APPROVAL.