

PART NUMBER

**KCC189362**

REV.

DATE

COMMENTS

INITIAL

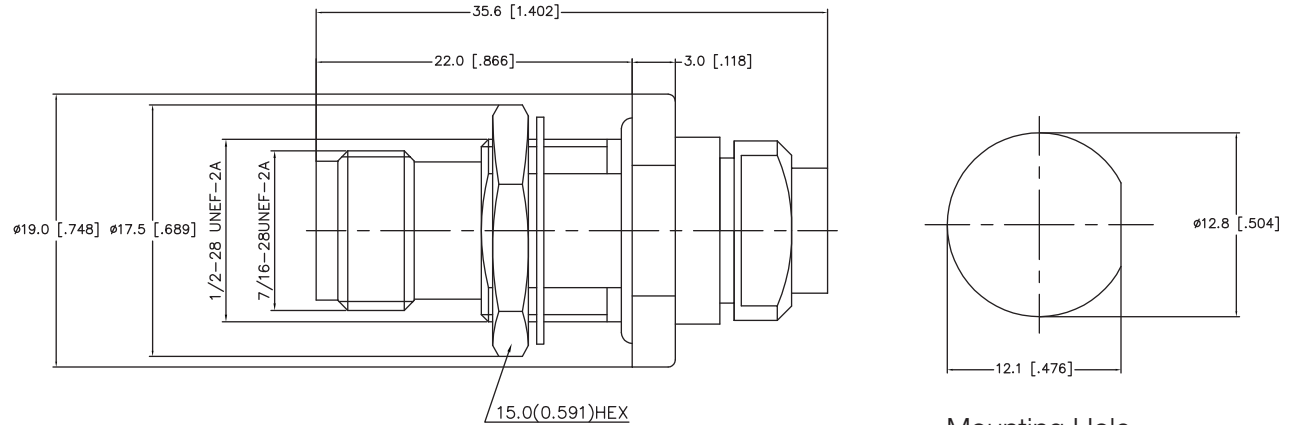
**Electrical Data**

Impedance	50 $\Omega$
Frequency Range	DC - 12 GHz.
Insertion Loss	0.05 $\sqrt{\text{Frequency}}$
Insulation Resistance	5,000 M $\Omega$ min
Dielectric Withstanding Voltage	1,000V Max @ Sea Level
VSWR	$\leq 1.40$

RoHS Compliant

**Mechanical Data**

Durability	500 Cycles Min.
Temperature Range:	-55 $^{\circ}\text{C}$ - 125 $^{\circ}\text{C}$
Hermetically Sealed	IP65



**VSWR and Frequency Range Specifications are for reference and are dependant on cable type and other application specific conditions**

Drawing not to scale. Dimensions for reference only

Units: mm (Inches)

**Konnect RF**

WWW.KONNECTRF.COM  
1-800-790-5887

PART NUMBER

**KCC189362**

DESCRIPTION

**TNC Straight Female Jack, Bulkhead Rear Mount, Solder**

CAGE CODE

**664U0**

SIGNATURE

X

**Cable Types:** KRC177132**Component**

Body & Nut  
Center Contact  
Insulator

**Material**

Stainless Steel  
Brass  
PTFE

**Plating**

Passivated  
Gold

THIS DRAWING INCLUDING THE DESIGNS IS THE PROPERTY OF KONNECT RF AND IS NOT TO BE USED FOR ANY PURPOSE WITHOUT OUR APPROVAL.