

PART NUMBER

KCC189351

REV.

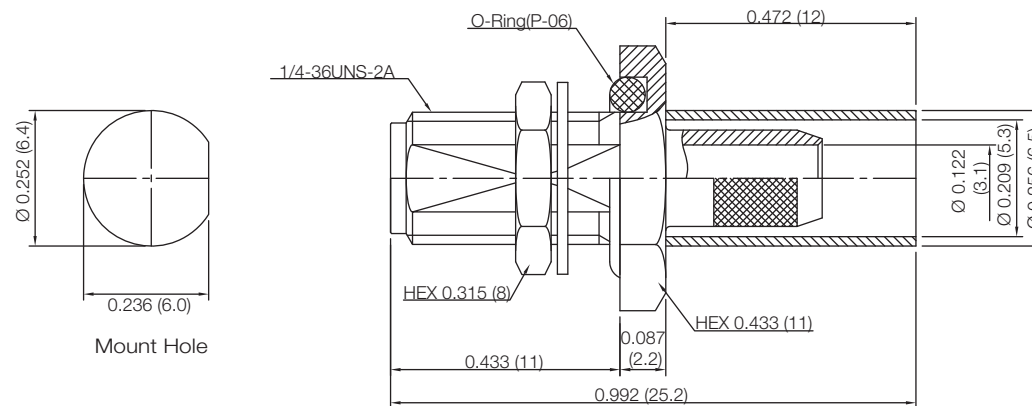
DATE

COMMENTS

INITIAL

Electrical Data

Impedance	50 Ω
Frequency Range	DC - 12.4 GHz.
Working Voltage	335 VRMS max
Contact Resistance	≤ 3
Insulation Resistance	5,000 MΩ
Dielectric Withstanding Voltage	750 V min

RoHS Compliant

VSWR and Frequency Range Specifications
are for reference and are dependant on cable
type and other application specific conditions

Drawing not to scale. Dimensions for reference only

Units: inches (mm)

Konnect RF

WWW.KONNECTRF.COM
1-800-790-5887

PART NUMBER

KCC189351

DESCRIPTION

SMA, Straight Female Jack, Bulkhead w/ O-Ring Seal, Crimp

CAGE CODE

664U0

SIGNATURE

X

THIS DRAWING INCLUDING THE
DESIGNS IS THE PROPERTY OF
KONNECT RF AND IS NOT TO
BE USED FOR ANY PURPOSE
WITHOUT OUR APPROVAL.

Cable Types: RG58**Component**

Body
Center Contact
Ferrule
Insulator
O-Ring

Material

Brass
BeCu
Brass
PTFE
Silicone Rubber

Plating

Gold
Gold
Gold