

PART NUMBER

KCC189344

REV.

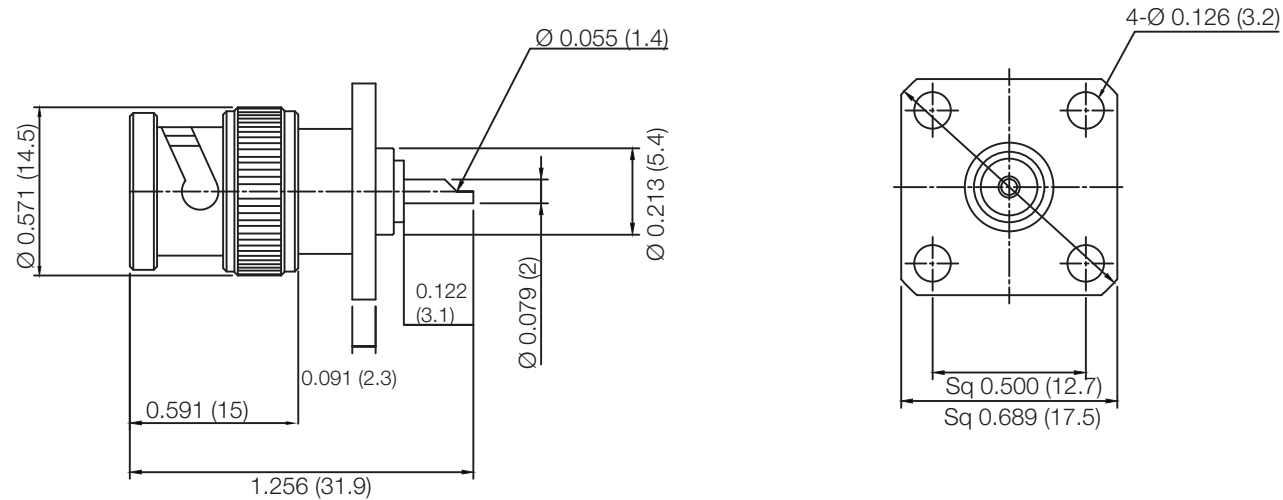
DATE

COMMENTS

INITIAL

Electrical DataImpedance 50 Ω

RoHS Compliant



Drawing not to scale. Dimensions for reference only

Units: mm

Konnnect RF

WWW.KONNECTRF.COM
1-800-790-5887

PART NUMBER

KCC189344

DESCRIPTION

**BNC Straight Male Plug Receptacle,
Solder Pot, 4 Hole Flange Mount**

CAGE CODE

664U0

SIGNATURE

X

Component
Body
Center Contact
Insulator

Material
Brass
Brass
PTFE

Plating
Nickel
Gold

THIS DRAWING INCLUDING THE
DESIGNS IS THE PROPERTY OF
KONNECT RF AND IS NOT TO
BE USED FOR ANY PURPOSE
WITHOUT OUR APPROVAL.