

PART NUMBER

**KCC189321**

REV.

DATE

COMMENTS

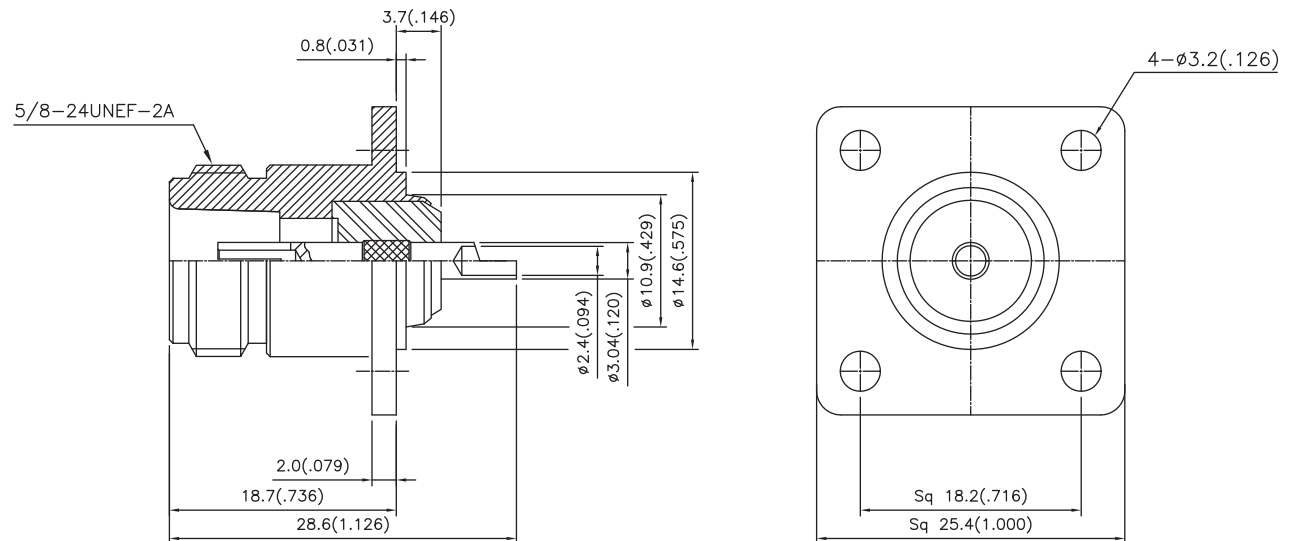
INITIAL

**Electrical Data**

Impedance 50  $\Omega$   
 Frequency Range DC - 11.0 GHz.  
 Insulation Resistance 5,000  $\Omega$   
 Dielectric Withstanding Voltage 750 RMS, 50Hz  
 VSWR 1.30 max

**Mechanical Data**

Temperature Range: -55 °C - 125 °C

**RoHS Compliant**

Drawing not to scale. Dimensions for reference only

Units: mm (Inches)

**Konnect RF**

WWW.KONNECTRF.COM  
 1-800-790-5887

PART NUMBER

**KCC189321**

DESCRIPTION

**N Straight Female Jack Receptacle,  
4 Hole Flange Mount , Solder Pot**

CAGE CODE

**664U0**

SIGNATURE

X

THIS DRAWING INCLUDING THE  
 DESIGNS IS THE PROPERTY OF  
 KONNECT RF AND IS NOT TO  
 BE USED FOR ANY PURPOSE  
 WITHOUT OUR APPROVAL.

**Component**

Body  
 Center Contact  
 Insulator

**Material**

Brass  
 BeCu  
 PTFE

**Plating**

Nickel  
 Gold