

PART NUMBER

KCC189319

REV.

DATE

COMMENTS

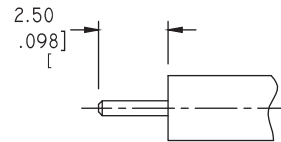
INITIAL

Electrical Data

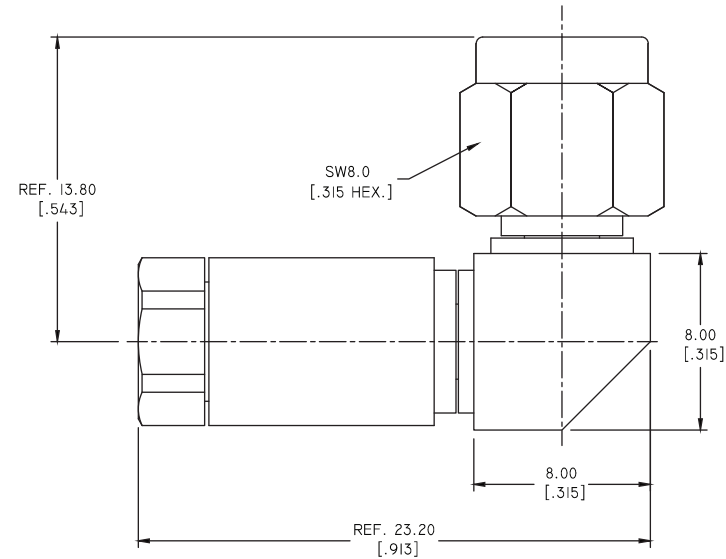
Impedance 50 Ω
 Frequency Range DC - 40 GHz.
 VSWR 1.35 Max

Mechanical Data

Temperature Range: -55 °C - 125 °C

RoHS Compliant

CABLE STRIPPING DIMENSIONS



Drawing not to scale. Dimensions for reference only

Units: mm (Inches)

Konnect RF

WWW.KONNECTRF.COM
 1-800-790-5887

PART NUMBER

KCC189319

DESCRIPTION

2.92mm Right Angle Male Plug, PSS, Solder

CAGE CODE

664U0

SIGNATURE

X

THIS DRAWING INCLUDING THE
 DESIGNS IS THE PROPERTY OF
 KONNECT RF AND IS NOT TO
 BE USED FOR ANY PURPOSE
 WITHOUT OUR APPROVAL.

Component

Body
 Center Contact
 Coupling Nut

Material

Stainless Steel
 Brass
 Stainless Steel

Plating

Passivated
 Gold
 Passivated