

PART NUMBER

**KCC189299**

REV.

DATE

COMMENTS

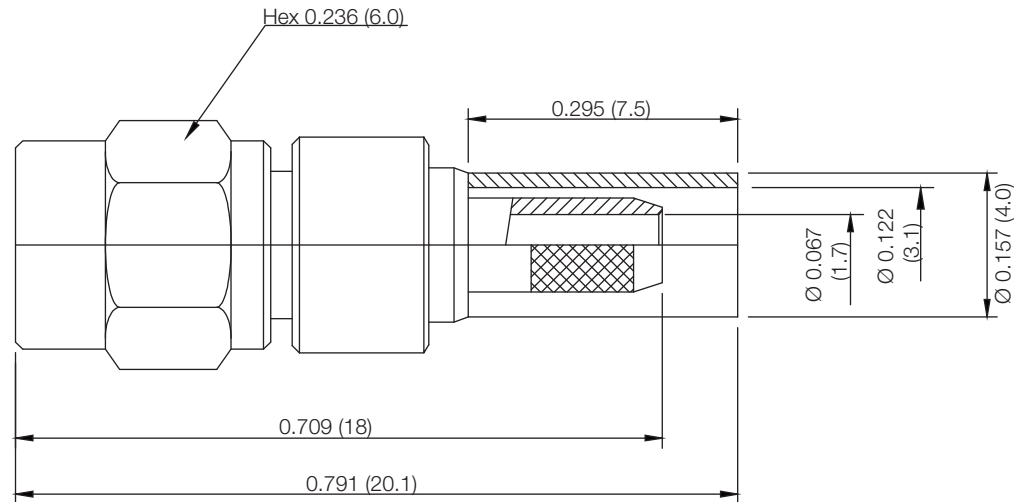
INITIAL

**Electrical Data**

Impedance 50  $\Omega$   
 Frequency Range DC - 11 GHz.

**Mechanical Data**

Temperature Range: -55 °C - 155 °C

**RoHS Compliant**

**VSWR and Frequency Range Specifications**  
 are for reference and are dependant on cable  
 type and other application specific conditions

Drawing not to scale. Dimensions for reference only

Units: inches (mm)

WWW.KONNECTRF.COM  
 1-800-790-5887

PART NUMBER

**KCC189299**

DESCRIPTION

**SMC Straight Female Plug, Crimp**

CAGE CODE

**664U0**

SIGNATURE

X

THIS DRAWING INCLUDING THE  
 DESIGNS IS THE PROPERTY OF  
 KONNECT RF AND IS NOT TO  
 BE USED FOR ANY PURPOSE  
 WITHOUT OUR APPROVAL.

**Cable Types:** RG-174, 316

Component	Material	Plating
Body & Coupling Cap	Brass	Gold
Center Contact	BeCu	Gold
Ferrule	Brass	Gold
Insulator	PTFE	