

PART NUMBER

**KCC189282**

REV.

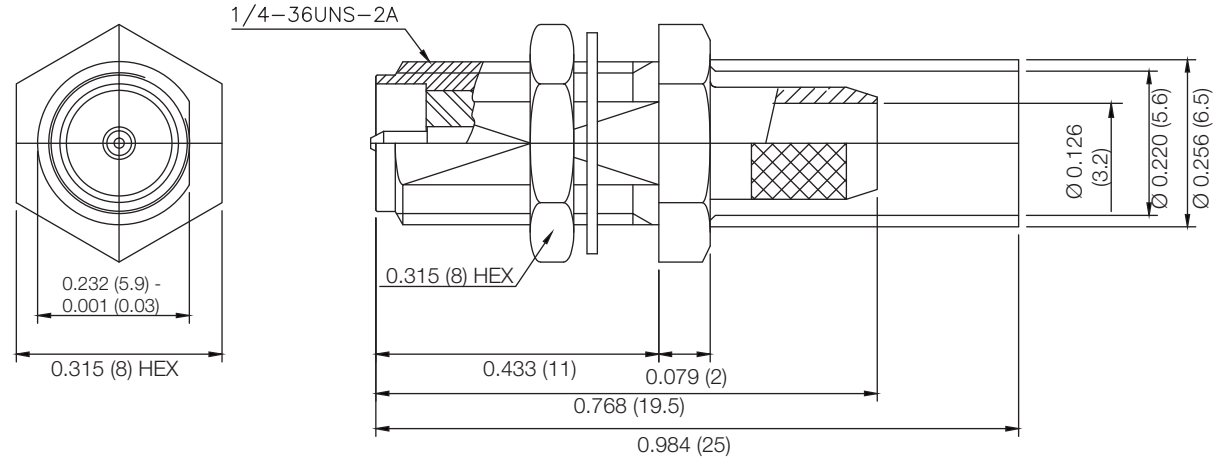
DATE

COMMENTS

INITIAL

**Electrical Data**

Impedance	50 $\Omega$
Frequency Range	DC - 12.4 GHz.
Contact Resistance	$\leq 3$ m $\Omega$
Insulation Resistance	$\geq 5,000$ M $\Omega$
Dielectric Withstanding Voltage	750V Min.
Working Voltage	335 VRMS Max.

**RoHS Compliant**

Drawing not to scale. Dimensions for reference only

Units: inches (mm)

**Konnect RF**

WWW.KONNECTRF.COM  
1-800-790-5887

PART NUMBER

**KCC189282**

DESCRIPTION

**SMA Straight Female Jack Reverse Polarity,  
Bulkhead Rear Mount, Crimp**

CAGE CODE

**664U0**

SIGNATURE

X

**Cable Types:** LMR-200**Component**

Body, Nut  
Center Contact  
Insulator  
Ferrule

**Material**

Brass  
Brass  
PTFE  
Brass

**Plating**

Gold  
Gold  
  
Gold

THIS DRAWING INCLUDING THE  
DESIGNS IS THE PROPERTY OF  
KONNECT RF AND IS NOT TO  
BE USED FOR ANY PURPOSE  
WITHOUT OUR APPROVAL.