

PART NUMBER

**KCC189281**

REV.

DATE

COMMENTS

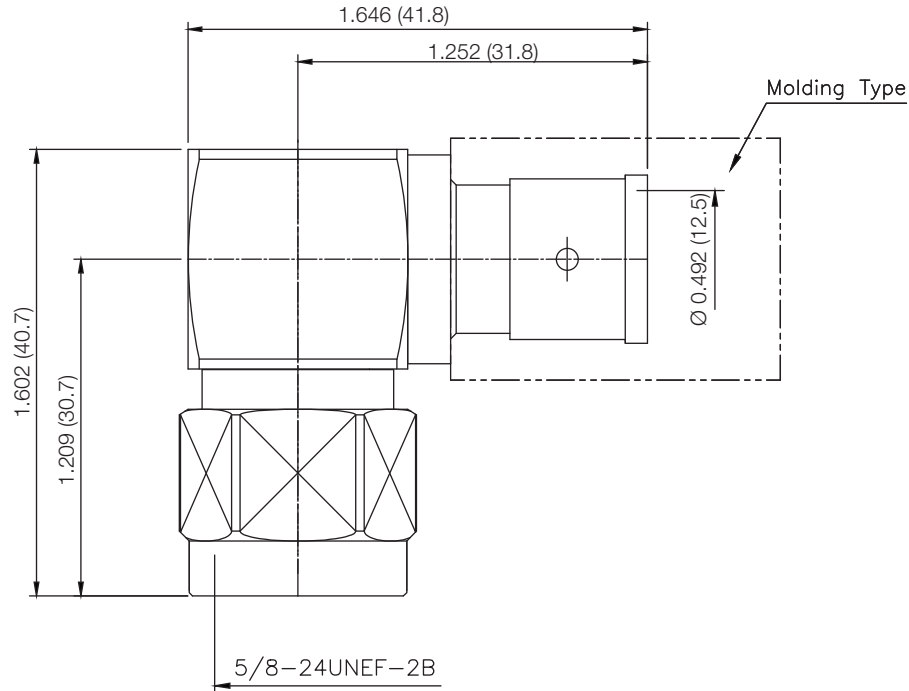
INITIAL

**RoHS Compliant****Electrical Data**

Impedance	50 Ω
Frequency Range	DC - 3 GHz.
Working Voltage	1,000 VRMS
Insulation Resistance	5,000 MΩ
Dielectric Withstanding Voltage	2,500 VRMS
VSWR	1.20 @ 3GHz Max
Passive Intermodulation	(2x20W) -155dBc

**Mechanical Data**

Durability	500 Cycles Min.
Temperature Range:	-40 °C - 125 °C



**VSWR and Frequency Range Specifications are for reference and are dependant on cable type and other application specific conditions**

**Drawing not to scale. Dimensions for reference only**

**Units: inches (mm)**

**WWW.KONNECTRF.COM**  
**1-800-790-5887**

PART NUMBER

**KCC189281**

DESCRIPTION

**N Right Angle Male Plug**

CAGE CODE

**664U0**

SIGNATURE

**X****Cable Types:** 1/2" Super Flex Cable**Component**

Body  
Coupling Cap  
Center Contact  
Insulator  
O-Ring

**Material**

Brass  
Brass  
Brass  
PTFE  
Silicone Rubber

**Plating**

White Bronze  
Nickel  
Silver

THIS DRAWING INCLUDING THE DESIGNS IS THE PROPERTY OF KONNECT RF AND IS NOT TO BE USED FOR ANY PURPOSE WITHOUT OUR APPROVAL.