

PART NUMBER

**KCC189268**

REV.

DATE

COMMENTS

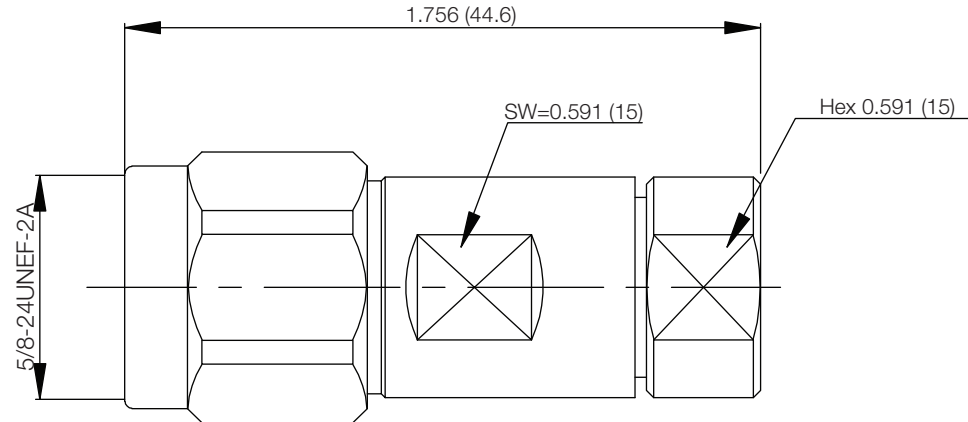
INITIAL

**Electrical Data**

Impedance 50  $\Omega$   
 Frequency Range DC - 3 GHz.  
 Insulation Resistance 5,000 M $\Omega$  min  
 Dielectric Withstanding Voltage 1,000 Max @ Sea Level  
 VSWR  $\leq$  1.15 @ 3 GHz  
 PIM  $\leq$ -150dBc

**Mechanical Data**

Temperature Range: -40 °C - 85 °C

**RoHS Compliant**

**VSWR and Frequency Range Specifications are for reference and are dependant on cable type and other application specific conditions**

**Drawing not to scale. Dimensions for reference only**

**Units: inches (mm)**

WWW.KONNECTRF.COM  
1-800-790-5887

PART NUMBER

**KCC189268**

DESCRIPTION

**N Straight Male Plug**

CAGE CODE

**664U0**

SIGNATURE

X

THIS DRAWING INCLUDING THE DESIGNS IS THE PROPERTY OF KONNECT RF AND IS NOT TO BE USED FOR ANY PURPOSE WITHOUT OUR APPROVAL.

**Cable Types:** 1/4" Low Loss Cable

**Component**

Body  
Center Contact  
Insulator

**Material**

Brass  
Phos. Bronze  
PTFE/TPX

**Plating**

White Bronze  
Silver