

PART NUMBER

KCC189261

REV.

DATE

COMMENTS

INITIAL

Electrical Data

Impedance	50 Ω
Frequency Range	DC - 6 GHz.
Insertion Loss	0.15 dB Max
Insulation Resistance	5,000 M Ω
Test Voltage	480V rms
VSWR	1.35

Mechanical Data

Durability	400 Cycles Min.
Temperature Range:	-55 $^{\circ}$ C - 155 $^{\circ}$ C

Environmental Data

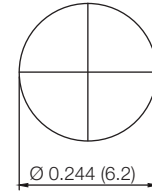
Temperature Range	-65 $^{\circ}$ C - 125 $^{\circ}$ C
Corrosion Resistance	MIL-STD-202, Method 101, Condition B.
Moisture Resistance	MIL-STD-202, Method 106
Thermal Shock	MIL-STD-202, Method 107, Condition B
Vibration	MIL-STD-202, Method 204, Condition D
Shock	MIL-STD-202, Method 213, Condition I

** MIL-PRF-39012

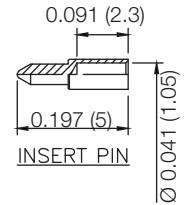
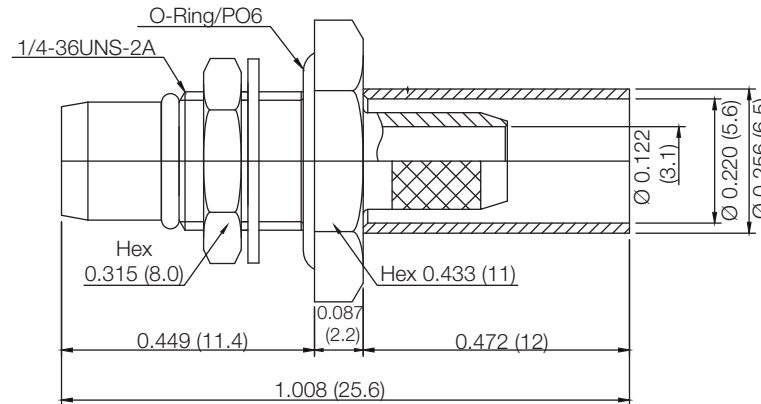
**VSWR and Frequency Range Specifications
are for reference and are dependant on cable
type and other application specific conditions**

Drawing not to scale. Dimensions for reference only

Units: inches (mm)

RoHS Compliant

Mounting Hole



WWW.KONNECTRF.COM
1-800-790-5887

PART NUMBER

KCC189261

DESCRIPTION

BMA Straight Male Jack, Bulkhead Rear Mount, Crimp

CAGE CODE

664U0

SIGNATURE

X

THIS DRAWING INCLUDING THE
DESIGNS IS THE PROPERTY OF
KONNECT RF AND IS NOT TO
BE USED FOR ANY PURPOSE
WITHOUT OUR APPROVAL.

Cable Types: RG-142**Component**

Body, Nut & Washer
Center Contact
Ferrule
Insert Pin
Insulator
O-Ring

Material

Brass
BeCu
Brass
Brass
PTFE
Silicone Rubber

Plating

White Bronze
Gold
Nickel
Gold