

PART NUMBER

KCC189258

REV.

DATE

COMMENTS

INITIAL

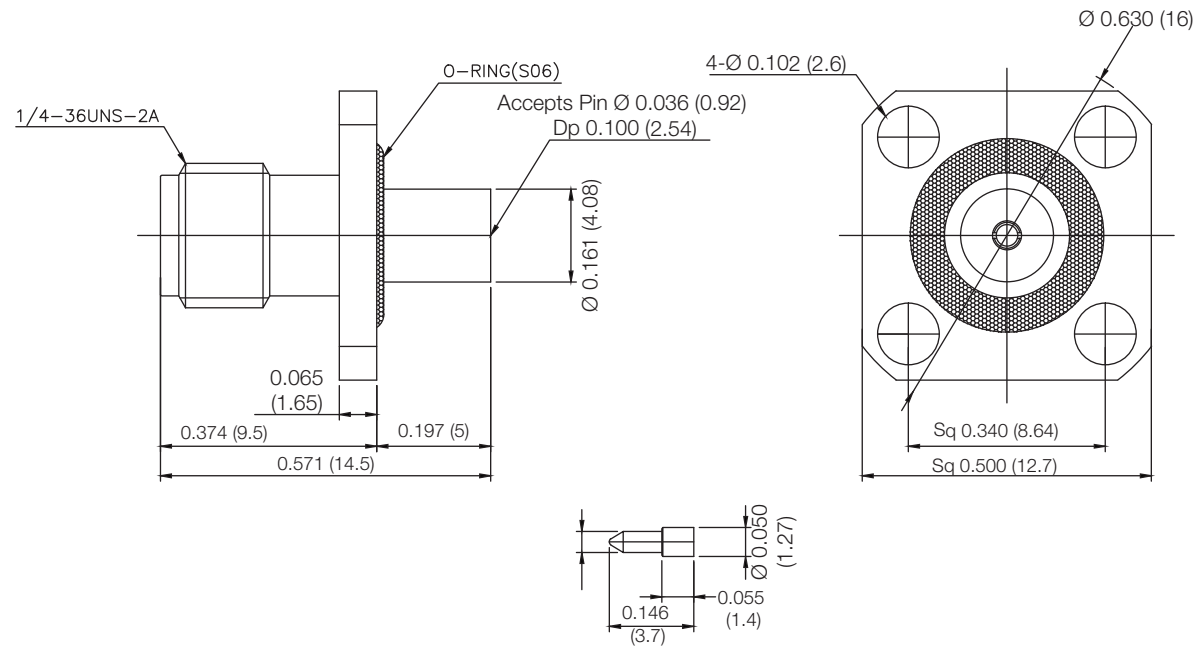
Electrical Data

Impedance 50 Ω
 Frequency Range DC - 14 GHz
 Voltage Rating 500 VRMS
 Insulation Resistance 5000 M Ω
 Dielectric Withstanding Voltage 750 VRMS
 VSWR 1.30:1 Max @ 14 GHz

RoHS Compliant

Mechanical Data

Temperature Range: -45 °C - 125 °C



Drawing not to scale. Dimensions for reference only

Units: inches (mm)

WWW.KONNECTRF.COM
 1-800-790-5887

PART NUMBER

KCC189258

DESCRIPTION

SMA Straight Female Jack Receptacle, 4 Hole Flange Mount, PSS, O-Ring Seal, Sliding Pin

CAGE CODE

664U0

SIGNATURE

X

THIS DRAWING INCLUDING THE DESIGNS IS THE PROPERTY OF KONNECT RF AND IS NOT TO BE USED FOR ANY PURPOSE WITHOUT OUR APPROVAL.

Component

Body
 Center Contact
 Insulator
 O-ring

Material

Stainless Steel
 BeCu
 PTFE
 EPDM

Plating

Passivated
 Gold