

PART NUMBER

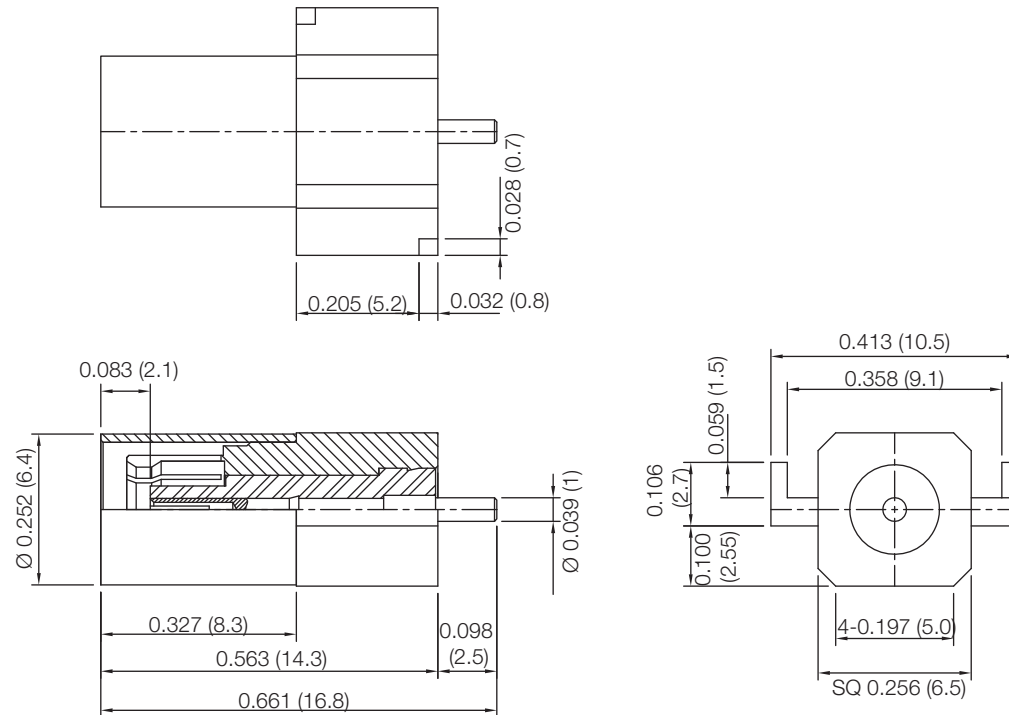
**KCC189245**

REV.

DATE

COMMENTS

INITIAL

**Electrical Data**Impedance 50  $\Omega$ **RoHS Compliant**

Drawing not to scale. Dimensions for reference only

Units: inches (mm)

**Konnect RF**WWW.KONNECTRF.COM  
1-800-790-5887

PART NUMBER

**KCC189245**

DESCRIPTION

**SMB Straight Female Plug, PC Board, Quick Connect**

CAGE CODE

**664U0**

SIGNATURE

X

THIS DRAWING INCLUDING THE  
DESIGNS IS THE PROPERTY OF  
KONNECT RF AND IS NOT TO  
BE USED FOR ANY PURPOSE  
WITHOUT OUR APPROVAL.**Component**  
Body & Cap  
Center Contact  
Insulator**Material**  
Brass  
BeCu  
PTFE**Plating**  
Nickel  
Gold