

PART NUMBER

**KCC189229**

REV.

DATE

COMMENTS

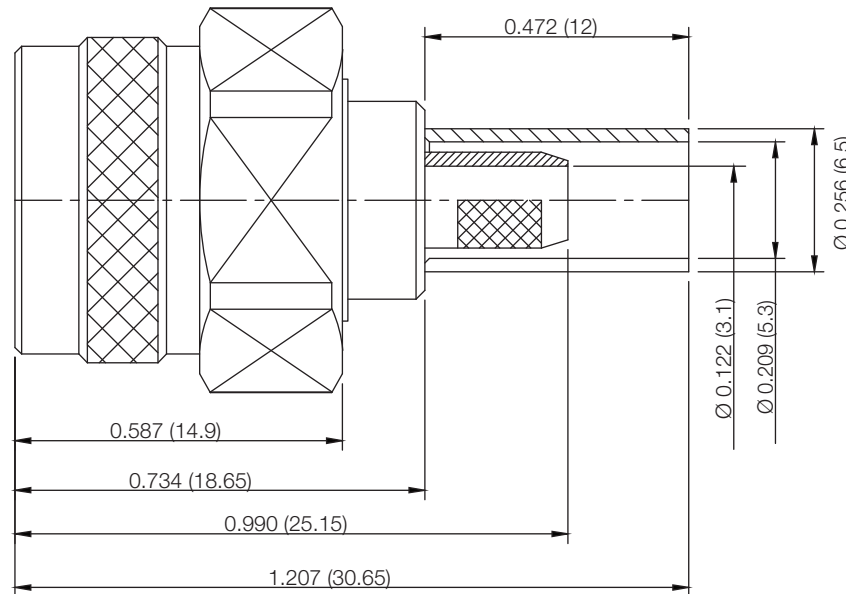
INITIAL

**Electrical Data**

Impedance 50  $\Omega$   
 Frequency Range DC - 11 GHz.  
 Voltage Rating 335 VRMS  
 Coupling Nut Torque 30 Inch- Pounds Min  
 Axial Force 100 Pounds Min  
 Insulation Resistance 5,000 M $\Omega$

**Mechanical Data**

Temperature Range: -55 °C - 155 °C

**RoHS Compliant**

**VSWR and Frequency Range Specifications are for reference and are dependant on cable type and other application specific conditions**

Drawing not to scale. Dimensions for reference only

Units: inches (mm)

WWW.KONNECTRF.COM  
1-800-790-5887

PART NUMBER

**KCC189229**

DESCRIPTION

**TNC Straight Male Plug, Crimp**

CAGE CODE

**664U0**

SIGNATURE

X

THIS DRAWING INCLUDING THE DESIGNS IS THE PROPERTY OF KONNECT RF AND IS NOT TO BE USED FOR ANY PURPOSE WITHOUT OUR APPROVAL.

**Cable Types:** LMR-195**Component**

Body & Coupling Cap  
 Center Contact  
 Ferrule  
 Insulator

**Material**

Brass  
 BeCu  
 Brass  
 PTFE

**Plating**

White Bronze  
 Gold  
 Nickel