

PART NUMBER

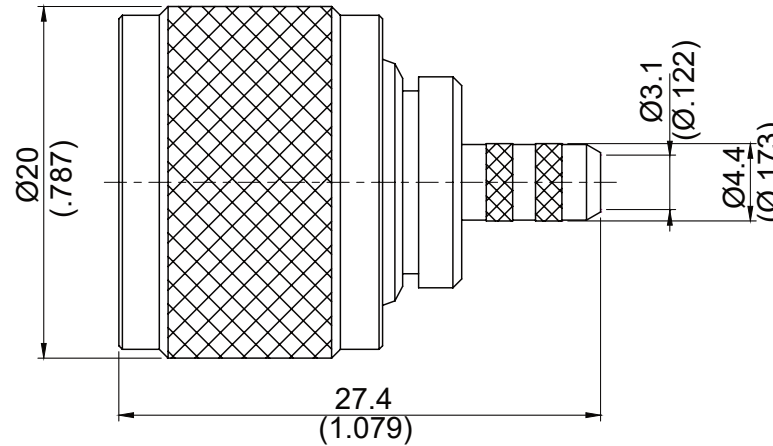
**KCC189227**

REV.

DATE

COMMENTS

INITIAL

**Electrical Data**Impedance 50  $\Omega$ **RoHS Compliant**

**VSWR and Frequency Range Specifications**  
are for reference and are dependant on cable  
type and other application specific conditions

Drawing not to scale. Dimensions for reference only

Units: mm (Inches)

WWW.KONNECTRF.COM  
1-800-790-5887

PART NUMBER

**KCC189227**

DESCRIPTION

**N Straight Male Plug, Crimp**

CAGE CODE

**664U0**

SIGNATURE

X

**Cable Types:** RG223**Component**Body & Coupling Nut  
Center Contact**Material**Brass  
Brass**Plating**White Bronze  
Gold 4 Over  
Nickel Phosphorous Alloy 80 Over Copper 20  
White BronzeFerrule  
Gasket  
InsulatorCopper  
Silicone Rubber  
PTFE

THIS DRAWING INCLUDING THE  
DESIGNS IS THE PROPERTY OF  
KONNECT RF AND IS NOT TO  
BE USED FOR ANY PURPOSE  
WITHOUT OUR APPROVAL.