

PART NUMBER

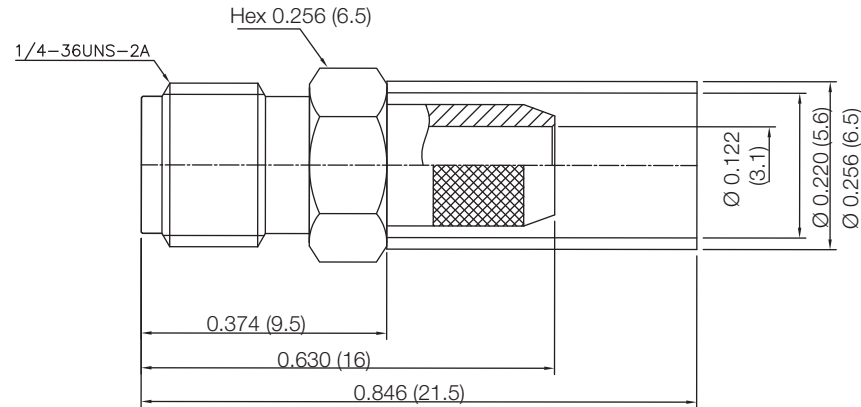
KCC189220

REV.

DATE

COMMENTS

INITIAL

Electrical DataImpedance 50 Ω **RoHS Compliant**

Drawing not to scale. Dimensions for reference only

Units: inches (mm)

Konnect RFWWW.KONNECTRF.COM
1-800-790-5887

PART NUMBER

KCC189220

DESCRIPTION

SMA Straight Female Jack, Crimp

CAGE CODE

664U0

SIGNATURE

X

THIS DRAWING INCLUDING THE DESIGNS IS THE PROPERTY OF KONNECT RF AND IS NOT TO BE USED FOR ANY PURPOSE WITHOUT OUR APPROVAL.

Cable Types: RG-400**Component**

Body
Center Contact
Ferrule
Insulator

Material

Brass
BeCu
Brass
PTFE

Plating

Gold
Gold
Gold