

PART NUMBER

**KCC189216**

REV.

DATE

COMMENTS

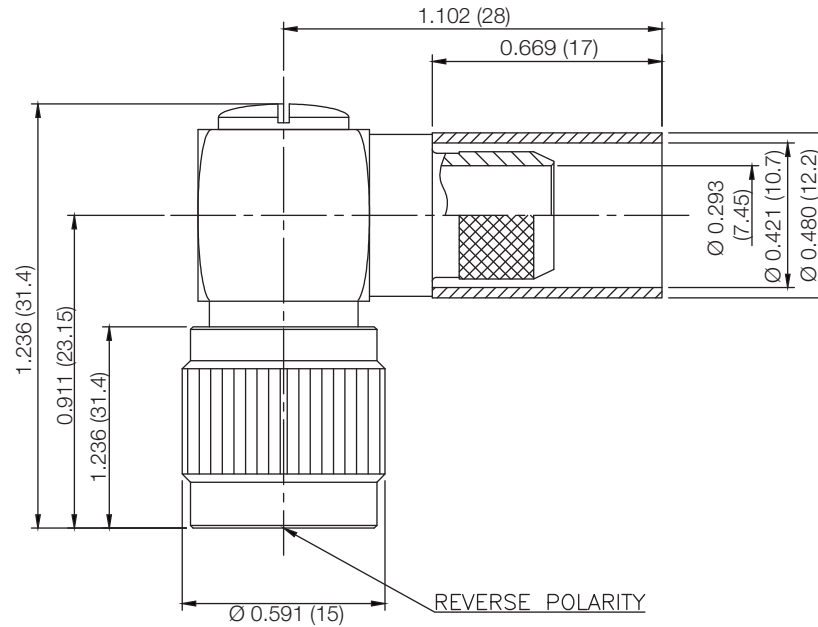
INITIAL

**Electrical Data**

Impedance 50  $\Omega$   
 Frequency Range DC - 11 GHz.  
 Voltage Rating 500 VRMS

**Mechanical Data**

Temperature Range: -45 °C - 125 °C

**RoHS Compliant**

**VSWR and Frequency Range Specifications**  
 are for reference and are dependant on cable  
 type and other application specific conditions

Drawing not to scale. Dimensions for reference only

Units: inches (mm)

WWW.KONNECTRF.COM  
 1-800-790-5887

PART NUMBER

**KCC189216**

DESCRIPTION

**TNC Right Angle Male Plug Reverse Polarity, Crimp**

CAGE CODE

**664U0**

SIGNATURE

X

THIS DRAWING INCLUDING THE  
 DESIGNS IS THE PROPERTY OF  
 KONNECT RF AND IS NOT TO  
 BE USED FOR ANY PURPOSE  
 WITHOUT OUR APPROVAL.

**Cable Types:** 213 & LMR-400**Component**

Body & Coupling Cap  
 Center Contact  
 Ferrule  
 Insulator  
 Seal

**Material**

Brass  
 Brass  
 Brass  
 PTFE  
 Silicone Rubber

**Plating**

Nickel  
 Gold  
 Nickel