

PART NUMBER

**KCC189214**

REV.

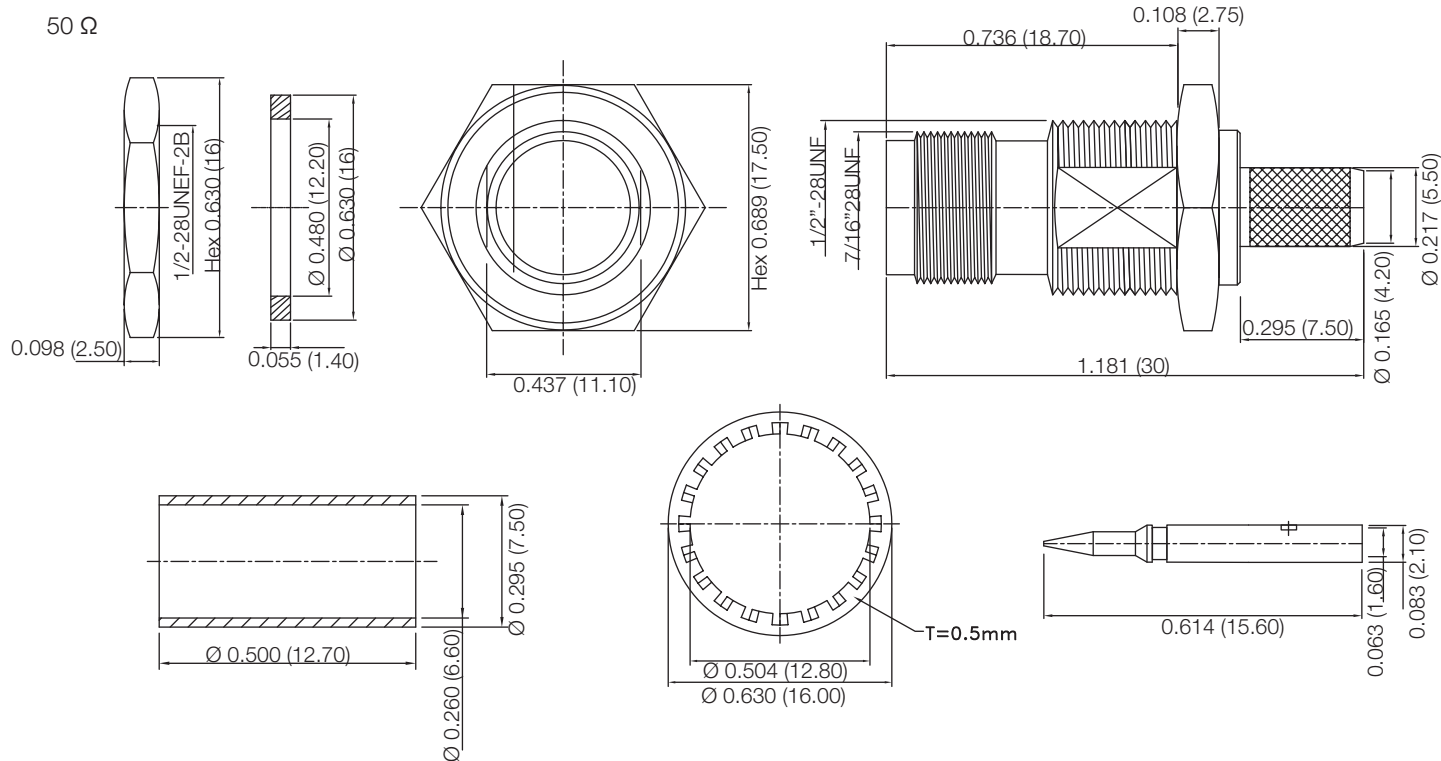
DATE

COMMENTS

INITIAL

**Electrical Data****RoHS Compliant**

Impedance

50  $\Omega$ 

Drawing not to scale. Dimensions for reference only

Units: inches (mm)

**Konnnect RF**WWW.KONNECTRF.COM  
1-800-790-5887

PART NUMBER

**KCC189214**

DESCRIPTION

**TNC Straight Female Jack Reverse Polarity,  
Bulkhead Rear Mount, Crimp, O-Ring Seal**

CAGE CODE

**664U0**

SIGNATURE

X

THIS DRAWING INCLUDING THE  
DESIGNS IS THE PROPERTY OF  
KONNECT RF AND IS NOT TO  
BE USED FOR ANY PURPOSE  
WITHOUT OUR APPROVAL.**Cable Types:** LMR-240**Component**Body, Washer & Nut  
Center Contact  
Ferrule  
Press Fit Ferrule  
Dielectric  
Gasket**Material**Brass  
Brass  
Brass  
Brass  
PTFE  
Rubber**Plating**Nickel  
Gold  
Nickel  
Nickel