

PART NUMBER

**KCC189199**

REV.

DATE

COMMENTS

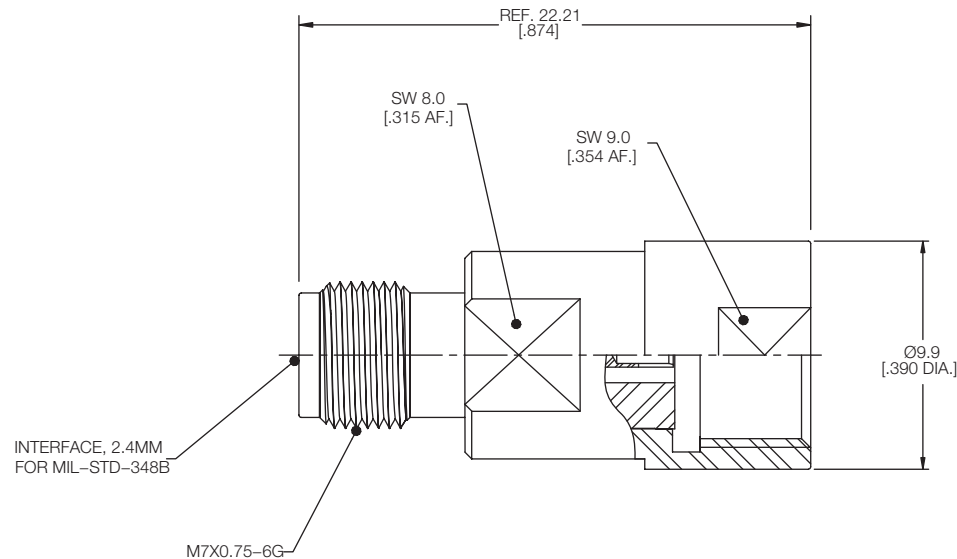
INITIAL

**Electrical Data**

Impedance 50Ω  
 Frequency Range DC - 50 GHz.  
 VSWR 1.20 TYP.

**Mechanical Data**

Durability 500 Cycles Min.  
 Temperature Range: -55 °C - 125 °C  
 Center Contact Captivated  
 Outer Contact SOLDERED

**RoHS Compliant**

**VSWR and Frequency Range Specifications  
 are for reference and are dependant on cable  
 type and other application specific conditions**

Drawing not to scale. Dimensions for reference only

Units: mm (Inches)

**Konnect RF**

WWW.KONNECTRF.COM  
 1-800-790-5887

PART NUMBER

**KCC189199**

DESCRIPTION

**2.4mm Straight Female Jack, PSS, Solder**

CAGE CODE

**664U0**

SIGNATURE

X

**Cable Types:** PLEX-140 Cable**Component**

Body  
 Center Contact  
 Solder Ferrule  
 Insulator

**Material**

Stainless Steel  
 BeCu  
 Brass  
 PEI

**Plating**

Passivated  
 Gold  
 Gold

THIS DRAWING INCLUDING THE  
 DESIGNS IS THE PROPERTY OF  
 KONNECT RF AND IS NOT TO  
 BE USED FOR ANY PURPOSE  
 WITHOUT OUR APPROVAL.