

PART NUMBER

KCC189165

REV.

DATE

COMMENTS

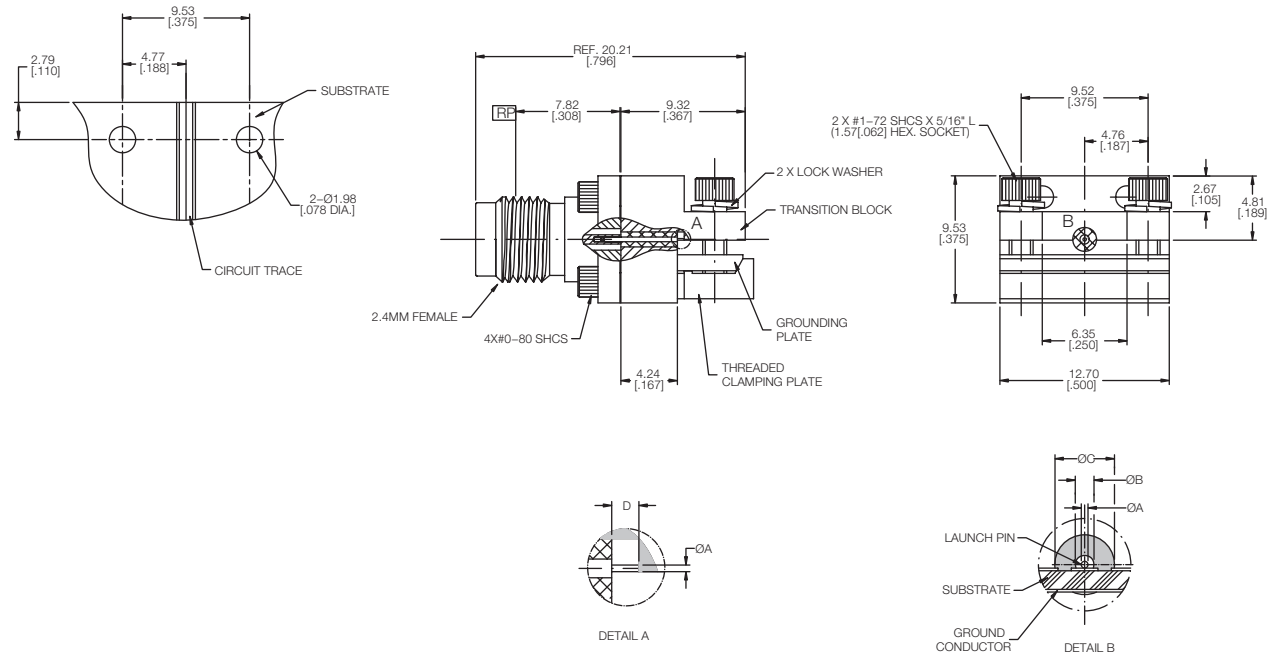
INITIAL

Electrical Data

Impedance 50 Ω
 Frequency Range DC - 50 GHz.

Mechanical Data

Temperature Range: -55 °C - 125 °C

RoHS Compliant

PART NO.	\varnothing A	\varnothing B	\varnothing C	D
KCC189165	0.13 [.005]	0.23 [.009]	0.74 [.0290]	0.76 [.030]

Drawing not to scale. Dimensions for reference only

Units: mm (Inches)

Konnect RF

WWW.KONNECTRF.COM
 1-800-790-5887

PART NUMBER

KCC189165

DESCRIPTION

2.4mm Female Jack End Launch, low Profile

CAGE CODE

664U0

SIGNATURE

X

THIS DRAWING INCLUDING THE
 DESIGNS IS THE PROPERTY OF
 KONNECT RF AND IS NOT TO
 BE USED FOR ANY PURPOSE
 WITHOUT OUR APPROVAL.

Component

Body
 Center Contact
 Insulator
 Transition Block
 Grounding Plate
 Threaded Clamping Plate
 Launch Pin
 Transition Block Dielectric

Material

Stainless Steel
 BeCu
 PEI
 Brass
 Brass
 Brass
 BeCu
 PTFE

Plating

Passivated
 Gold
 Gold
 Nickel
 Nickel
 Nickel
 Gold