

PART NUMBER
KCC189072

REV.	DATE	COMMENTS	INITIAL

RoHS Compliant

Electrical Data

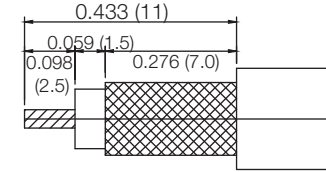
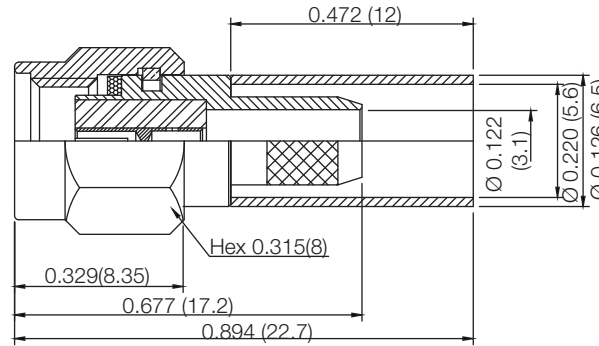
Impedance 50 Ω
 Frequency Range DC - 18 GHz
 Working Volatage 335 Vrms max
 Contact Resistance <3mΩ
 Dielectric Withstanding Voltage 1,000V
 Insulation Resistance 5,000 MΩ min

Mechanical Data

Coupling Nut Torque 12Ncm-170Ncm
 Coupling Nut Retention Force >200N
 Life 500 matings
 Contact Captivation ≥27N

Environmental Data

Operation & Stroage Temperature Range -45 °C - 85 °C/-65 °C - 125 °C
 Vibration Test MIL-STD-202, Method 204, Condition D
 Mechanical Shock MIL-STD-202, Method 213, Condition I
 Moisture Resistance MIL-STD-202, Method 106
 ** Center Contact Non-Captivated



Recommended Stripping DIM'S
 Recommended CRIMP DIES :Hex0.217 (5.5)

Drawing not to scale. Dimensions for reference only Units: inches (mm)



WWW.KONNECTRF.COM
 1-800-790-5887

PART NUMBER KCC189072		DESCRIPTION SMA Straight Male Plug, Crimp, Reverse Polarity															
CAGE CODE 664U0	SIGNATURE X	Cable Types: RG-400,223,142 <table border="0"> <tr> <td>Component</td> <td>Material</td> <td>Plating</td> </tr> <tr> <td>Body & Coupling Cap</td> <td>Brass</td> <td>Nickel</td> </tr> <tr> <td>Center Contact</td> <td>BeCu</td> <td>Gold</td> </tr> <tr> <td>Ferrule</td> <td>Brass</td> <td>Nickel</td> </tr> <tr> <td>Insulator</td> <td>PTFE</td> <td></td> </tr> </table>	Component	Material	Plating	Body & Coupling Cap	Brass	Nickel	Center Contact	BeCu	Gold	Ferrule	Brass	Nickel	Insulator	PTFE	
Component	Material		Plating														
Body & Coupling Cap	Brass	Nickel															
Center Contact	BeCu	Gold															
Ferrule	Brass	Nickel															
Insulator	PTFE																
THIS DRAWING INCLUDING THE DESIGNS IS THE PROPERTY OF KONNECT RF AND IS NOT TO BE USED FOR ANY PURPOSE WITHOUT OUR APPROVAL.																	