

PART NUMBER

KCC188986

REV.

DATE

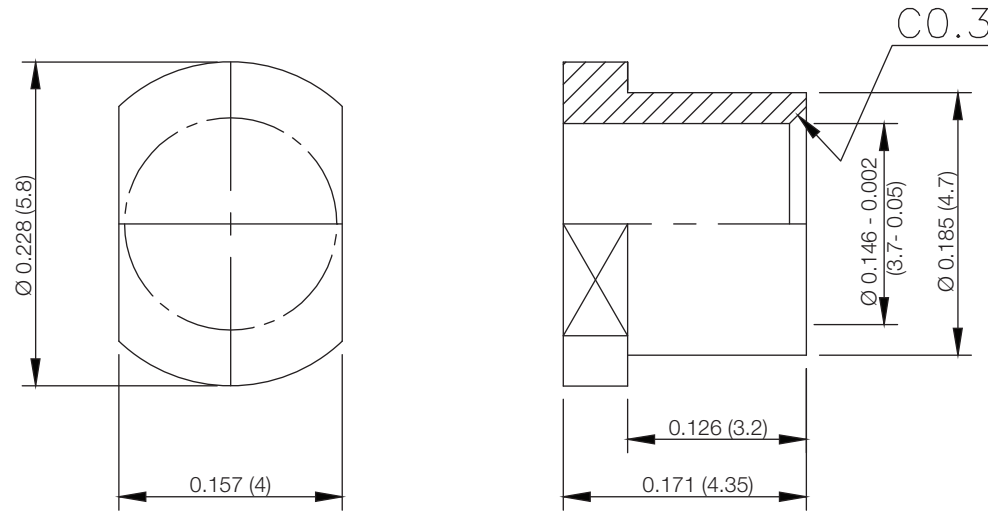
COMMENTS

INITIAL

A

9/17/18

Updated Cable Entry Diameter

RoHS Compliant

Drawing not to scale. Dimensions for reference only

Units: inches (mm)

Konnect RF

WWW.KONNECTRF.COM
1-800-790-5887

PART NUMBER

KCC188986

DESCRIPTION

Cable Termination, Straight, PCB Mount

CAGE CODE

664U0

SIGNATURE

X

THIS DRAWING INCLUDING THE
DESIGNS IS THE PROPERTY OF
KONNECT RF AND IS NOT TO
BE USED FOR ANY PURPOSE
WITHOUT OUR APPROVAL.

Cable Types: .141 S/R (RG-402)**Component**

Body

Material

Brass

Plating

Gold