

PART NUMBER

KCC188963

REV.

DATE

COMMENTS

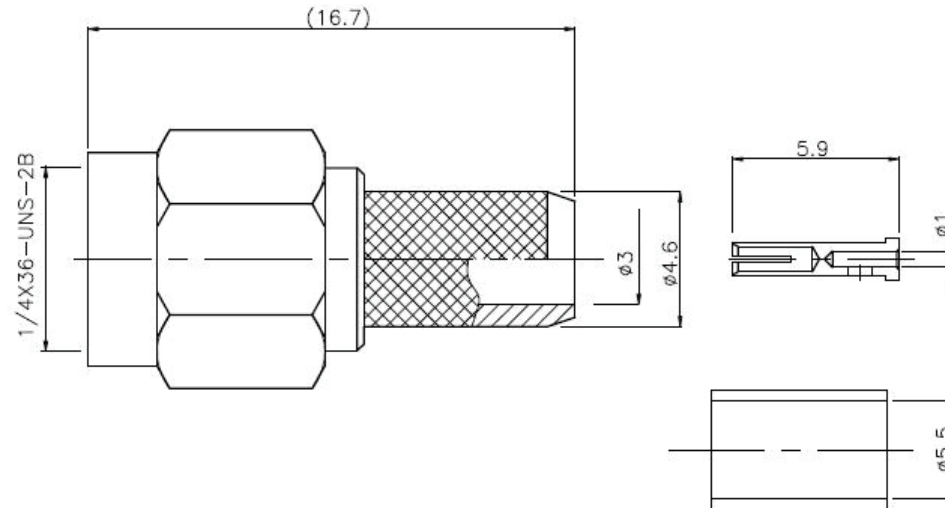
INITIAL

Electrical Data

Impedance	50 Ω
Frequency Range	DC - 6 GHz.
VSWR	≤ 1.15 @DC-3GHz ≤ 1.30 @DC-6GHz
Dielectric Withstanding Voltage	$\geq 1,000$ V RMS,50Hz,at sea level
Dielectric Resistance	5,000M Ω
	Center Contact ≤ 3 m Ω Outer Contact ≤ 2.5 m Ω
Working Voltage	335V RMS,50Hz,at sea level

Environmental Data

Temperature Range	-40 $^{\circ}$ C - 85 $^{\circ}$ C
Durability	≥ 500

RoHS Compliant

Drawing not to scale. Dimensions for reference only

Units: mm

Konnect RF

WWW.KONNECTRF.COM
1-800-790-5887

PART NUMBER

KCC188963

DESCRIPTION

SMA Straight Male Plug Reverse Polarity, Crimp

CAGE CODE

664U0

SIGNATURE

X

THIS DRAWING INCLUDING THE
DESIGNS IS THE PROPERTY OF
KONNECT RF AND IS NOT TO
BE USED FOR ANY PURPOSE
WITHOUT OUR APPROVAL.

Cable Types: LMR-195**Component**

Body & Coupling Nut
Center Contact
Ferrule
Gasket
Insulator

Material

Brass
Phos.Copper
Annealed Copper
Silicone Rubber
PTFE

Plating

Gold
Gold
Nickel