

PART NUMBER

KCC188936

REV.

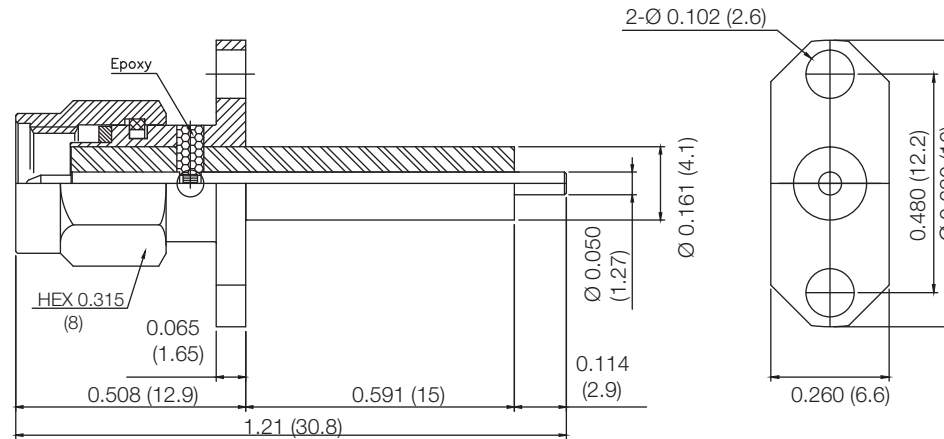
DATE

COMMENTS

INITIAL

Electrical Data

Impedance 50 Ω

RoHS Compliant

Drawing not to scale. Dimensions for reference only

Units: inches (mm)

Konnect RFWWW.KONNECTRF.COM
1-800-790-5887

PART NUMBER

KCC188936

DESCRIPTION

**SMA Straight Male Plug Receptacle, 2 Hole Flange Mount,
Extended Teflon, Blunt Post, PSS, Epoxy Captivated**

CAGE CODE

664U0

SIGNATURE

X

THIS DRAWING INCLUDING THE
DESIGNS IS THE PROPERTY OF
KONNECT RF AND IS NOT TO
BE USED FOR ANY PURPOSE
WITHOUT OUR APPROVAL.**Component**Body
Center Contact
Coupling Cap
Insulator**Material**Stainless Steel
Brass
Stainless Steel
PTFE**Plating/Finish**Passivated
Gold
Passivated