

PART NUMBER

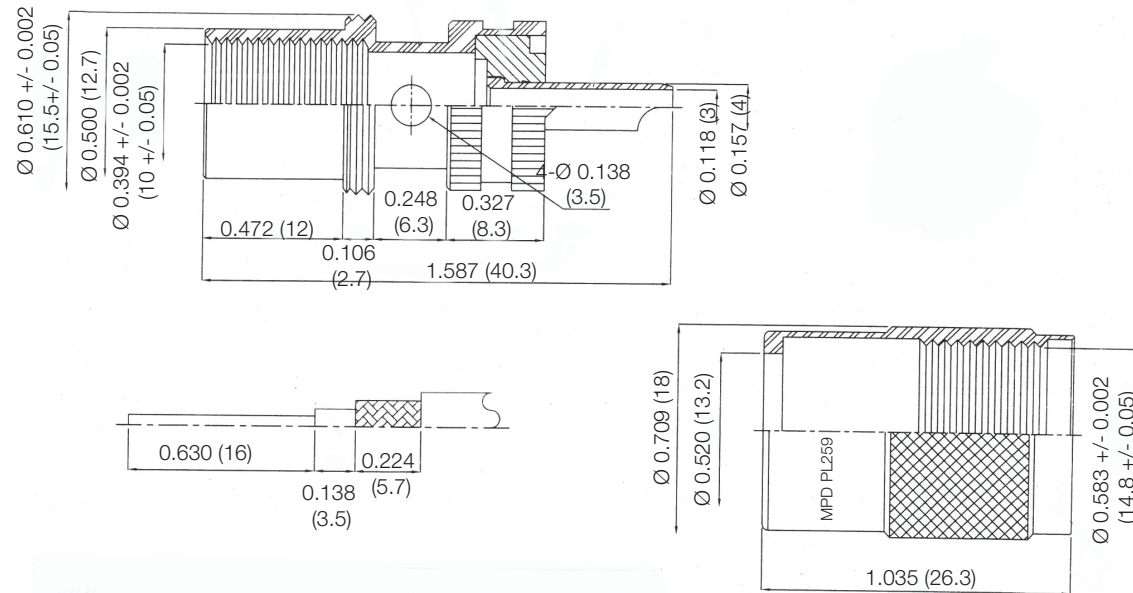
KCC188925

REV.

DATE

COMMENTS

INITIAL

RoHS Compliant

Drawing not to scale. Dimensions for reference only

Units: inches (mm)

Konnnect RFWWW.KONNECTRF.COM
1-800-790-5887

PART NUMBER

KCC188925

DESCRIPTION

UHF Straight Male Plug, Twist-On, Solder

CAGE CODE

664U0

SIGNATURE

X

THIS DRAWING INCLUDING THE
DESIGNS IS THE PROPERTY OF
KONNECT RF AND IS NOT TO
BE USED FOR ANY PURPOSE
WITHOUT OUR APPROVAL.**Cable Types:** LMR-400**Component**Body
Center Contact
Shell
Insulator**Material**Brass
Brass
Brass
PTFE**Plating**Silver
Silver
Nickel