

PART NUMBER

KCC188756

REV.

DATE

COMMENTS

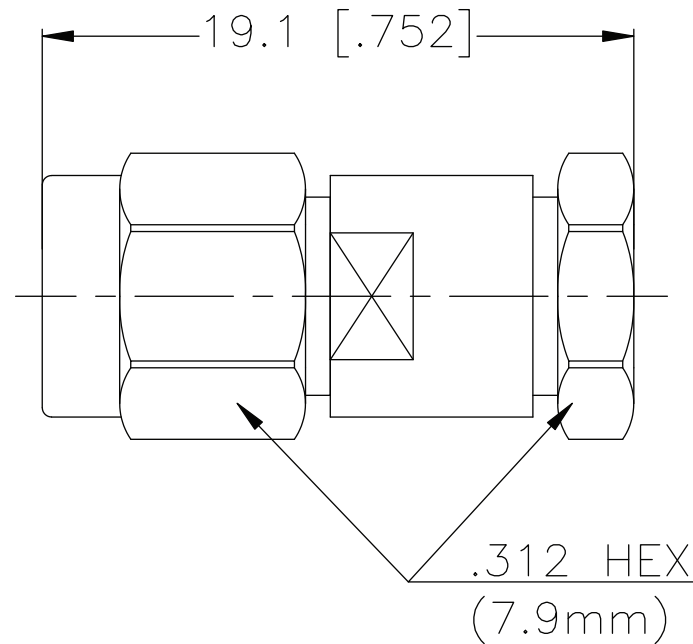
INITIAL

Electrical Data

Impedance 50 Ω
 Frequency Range DC - 18 GHz.
 Insulation Resistance 5,000 M Ω Min
 Dielectric Withstanding Voltage 750 VRMS @ Sea Level

Mechanical Data

Durability 500 Cycles Min.
 Temperature Range: -55 $^{\circ}$ C - 125 $^{\circ}$ C

RoHS Compliant

Drawing not to scale. Dimensions for reference only

Units: inches (mm)

Konnect RF

WWW.KONNECTRF.COM
 1-800-790-5887

PART NUMBER

KCC188756

DESCRIPTION

SMA Straight Male Plug, Clamp

CAGE CODE

664U0

SIGNATURE

X

THIS DRAWING INCLUDING THE
 DESIGNS IS THE PROPERTY OF
 KONNECT RF AND IS NOT TO
 BE USED FOR ANY PURPOSE
 WITHOUT OUR APPROVAL.

Cable Type: RG188**Component**

Body & Nut
 Center Contact
 Gasket
 Insulator

Material

Brass
 BeCu
 Silicone Rubber
 PTFE

Plating

Gold
 Gold