

PART NUMBER

**KCC188746**

REV.

DATE

COMMENTS

INITIAL

**Electrical Data**

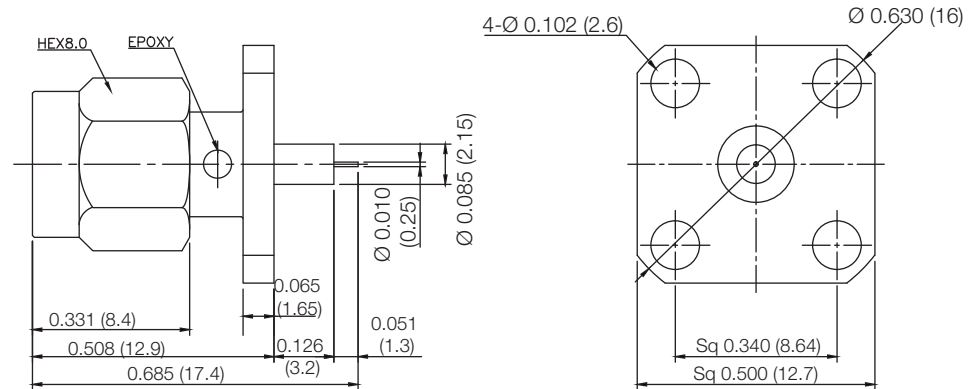
Impedance 50  $\Omega$   
 Frequency Range DC - 18 GHz.  
 Insertion Loss 0.07  $\sqrt{F}$  (GHz) dB (max)  
 VSWR 1.20 Max @ 18 GHz

**Mechanical Data**

Durability 500 Cycles Min.  
 Temperature Range: -65 °C - 165 °C

**Environmental Data**

Corrosion Resistance MIL-STD-202, Method 101, Condition B.  
 Moisture Resistance MIL-STD-202, Method 106  
 Thermal Shock MIL-STD-202, Method 107, Condition B  
 Vibration MIL-STD-202, Method 204, Condition D  
 Shock MIL-STD-202, Method 213, Condition I

**RoHS Compliant**

Drawing not to scale. Dimensions for reference only

Units: inches (mm)

**Konnect RF**

WWW.KONNECTRF.COM  
 1-800-790-5887

PART NUMBER

**KCC188746**

DESCRIPTION

**SMA Straight Male Plug Receptacle, 4 Hole Flange  
 Mount, Extended Teflon, Epoxy Captivated**

CAGE CODE

**664U0**

SIGNATURE

X

THIS DRAWING INCLUDING THE  
 DESIGNS IS THE PROPERTY OF  
 KONNECT RF AND IS NOT TO  
 BE USED FOR ANY PURPOSE  
 WITHOUT OUR APPROVAL.

**Component**

Body & Coupling Nut  
 Center Contact  
 Insulator

**Material**

Stainless Steel  
 BeCu  
 PTFE

**Plating/Finish**

Passivated  
 Gold