

PART NUMBER

**KCC188726**

REV.

DATE

COMMENTS

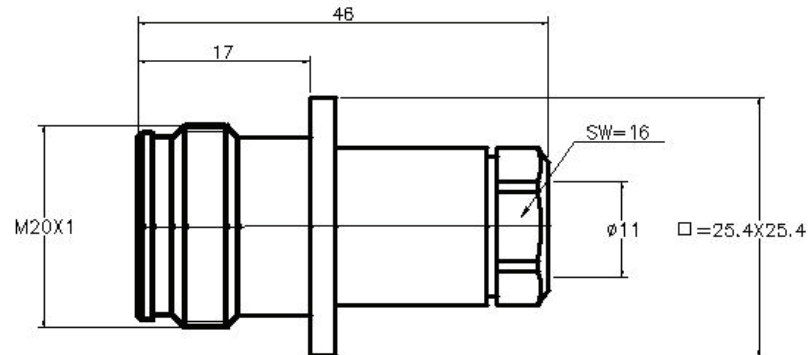
INITIAL

**Electrical Data**

Impedance	50 $\Omega$
Frequency Range	DC - 12 GHz.
Intermodulation 3rd Order	$\leq -130$ dBc @ 2x20W
Insertion Loss	$\leq 0.05$ dB $\sqrt{f(\text{GHz})}$ dB
Contact Resistance	
Center	$\leq 1$ m $\Omega$
Outer	$\leq 1$ m $\Omega$
Dielectric Resistance	$\geq 5,000$ M $\Omega$
Dielectric Withstanding Voltage	$\geq 2,500$ VRMS, 50Hz @ Sea Level
Working Voltage	500 VRMS
Power Handling	500 W @ 2 GHz/90 Degrees
VSWR	$\leq 1.30$ @ 3,000 MHz

**Mechanical Data**

Durability	$\geq 100$ Cycles Min.
Temperature Range:	-40 $^{\circ}\text{C}$ - 85 $^{\circ}\text{C}$

**RoHS Compliant**

**VSWR and Frequency Range Specifications are for reference and are dependant on cable type and other application specific conditions**

**Drawing not to scale. Dimensions for reference only**

**Units: mm**

**WWW.KONNECTRF.COM**  
**1-800-790-5887**

PART NUMBER

**KCC188726**

DESCRIPTION

**4.3-10 Straight Female Jack, 4 Hole Flange Mount, Clamp**

CAGE CODE

**664U0**

SIGNATURE

X

THIS DRAWING INCLUDING THE DESIGNS IS THE PROPERTY OF KONNECT RF AND IS NOT TO BE USED FOR ANY PURPOSE WITHOUT OUR APPROVAL.

**Cable Type:** RG-214  
**Component**

Body & COupling Nut  
Center Contact  
Washer & Cable Clamp  
Gasket  
Insulator

**Material**

Brass  
Phos. Bronze  
Brass  
Silicone Rubber  
PTFE

**Plating**

White Bronze  
Gold  
Gold