

PART NUMBER

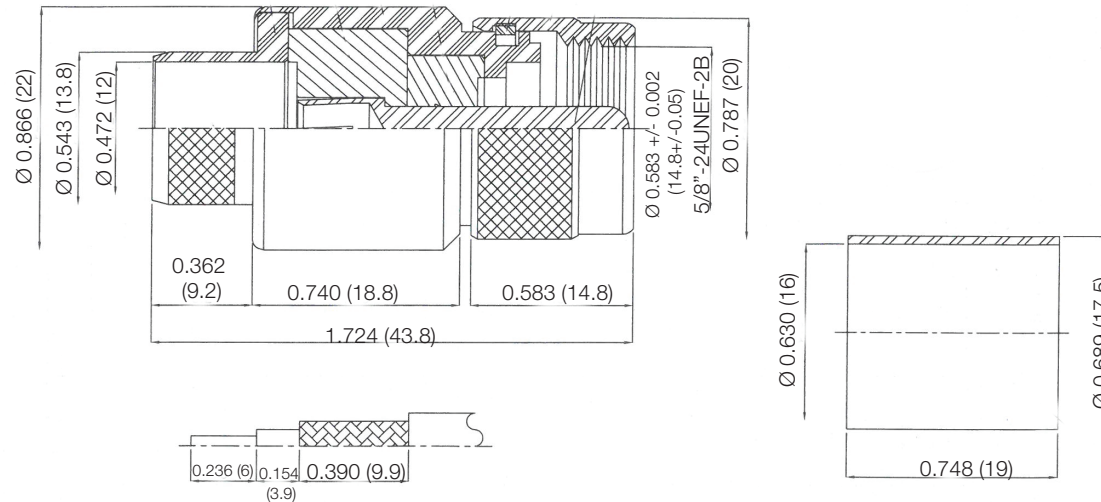
KCC188535

REV.

DATE

COMMENTS

INITIAL

Electrical DataImpedance 50 Ω **RoHS Compliant**

Drawing not to scale. Dimensions for reference only

Units: inches (mm)

Konnect RFWWW.KONNECTRF.COM
1-800-790-5887

PART NUMBER

KCC188535

DESCRIPTION

UHF Straight Male Plug, Crimp

CAGE CODE

664U0

SIGNATURE

X

THIS DRAWING INCLUDING THE
DESIGNS IS THE PROPERTY OF
KONNECT RF AND IS NOT TO
BE USED FOR ANY PURPOSE
WITHOUT OUR APPROVAL.**Cable Type:** LMR-600**Component**Body, Ferrule & Shell
Center Contact
Retaining Ring
Insulator**Material**Brass
Brass
Brass
PTFE**Plating**White Bronze
Gold
Nickel