

PART NUMBER

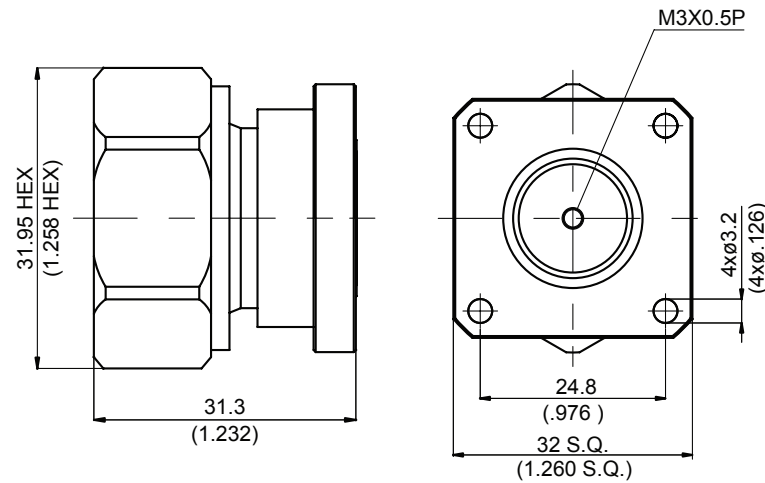
KCC188498

REV.

DATE

COMMENTS

INITIAL

Electrical DataImpedance 50 Ω **RoHS Compliant**

Drawing not to scale. Dimensions for reference only

Units: mm (inches)

Konnect RFWWW.KONNECTRF.COM
1-800-790-5887

PART NUMBER

KCC188498

DESCRIPTION

7/16 DIN Straight Male Plug Receptacle, 4 Hole Flange Mount

CAGE CODE

664U0

SIGNATURE

X

THIS DRAWING INCLUDING THE DESIGNS IS THE PROPERTY OF KONNECT RF AND IS NOT TO BE USED FOR ANY PURPOSE WITHOUT OUR APPROVAL.

Component

Body & Coupling Nut
Center Contact
Retainer Ring
Gasket
Insulator

Material

Brass
Brass
Brass
Silicone Rubber
PTFE

Plating

White Bronze
Silver 150 over Copper 50
White Bronze