

PART NUMBER

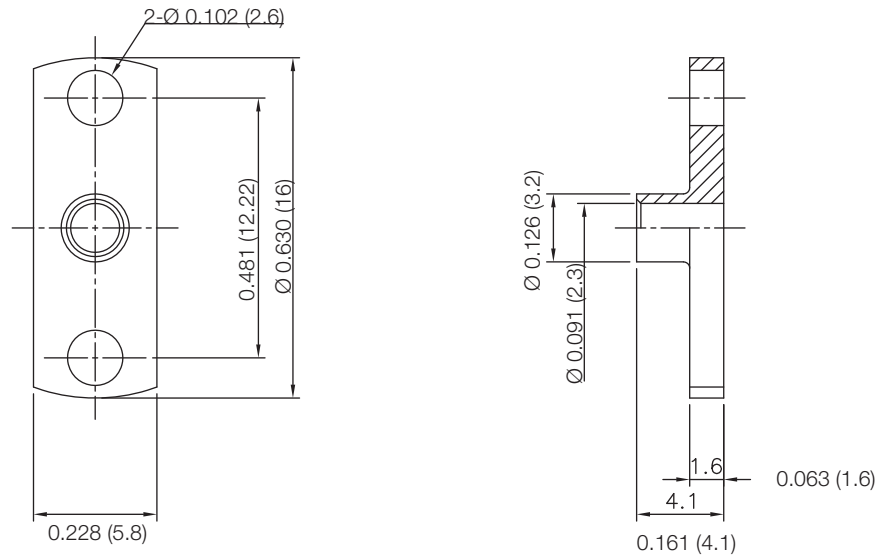
KCC188208

REV.

DATE

COMMENTS

INITIAL

RoHS Compliant

Drawing not to scale. Dimensions for reference only

Units: inches (mm)

Konnect RF

WWW.KONNECTRF.COM
1-800-790-5887

PART NUMBER

KCC188208

DESCRIPTION

Cable Termination, 2 Hole Flange Mount, Cable Entry Solder

CAGE CODE

664U0

SIGNATURE

X

THIS DRAWING INCLUDING THE DESIGNS IS THE PROPERTY OF KONNECT RF AND IS NOT TO BE USED FOR ANY PURPOSE WITHOUT OUR APPROVAL.

Cable Types: .085 S/R (RG-405)**Component**

Body

Material

Brass

Plating

Gold