

PART NUMBER

KCC188137

REV.

DATE

COMMENTS

INITIAL

Electrical Data

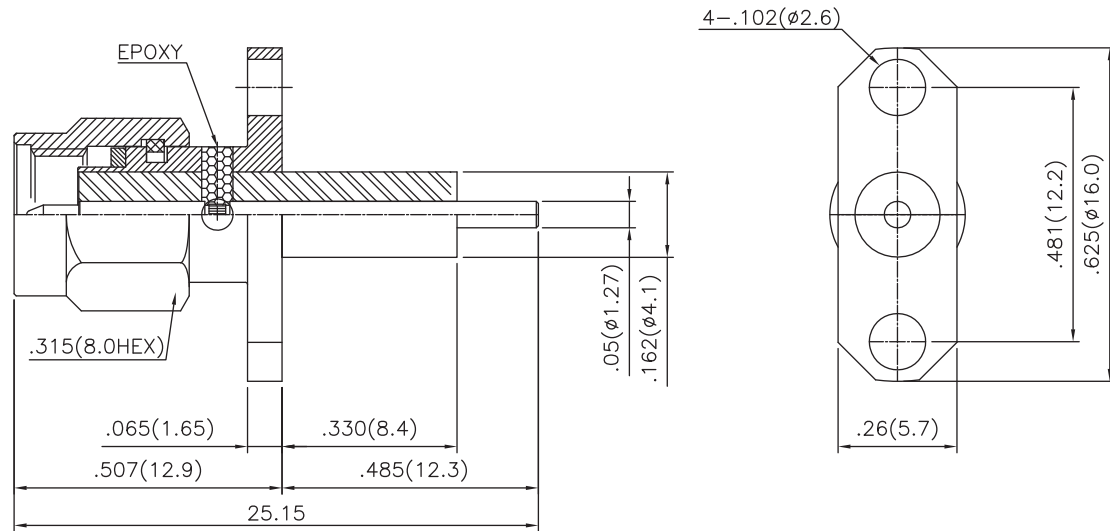
Impedance 50 Ω
 Frequency Range DC - 18 GHz.
 Insulation Resistance 5,000 M Ω
 Dielectric Withstanding Voltage 750 VRMS

Mechanical Data

Temperature Range: -55 °C - 125 °C

Standards

Interface Per MIL-STD-348

RoHS Compliant

Drawing not to scale. Dimensions for reference only

Units: inches (mm)

Konnect RF

WWW.KONNECTRF.COM
 1-800-790-5887

PART NUMBER

KCC188137

DESCRIPTION

**SMA Straight Male Plug Receptacle, 2 Hole Flange Mount,
 Blunt Post, Extended Teflon, Epoxy Captivated**

CAGE CODE

664U0

SIGNATURE

X

THIS DRAWING INCLUDING THE
 DESIGNS IS THE PROPERTY OF
 KONNECT RF AND IS NOT TO
 BE USED FOR ANY PURPOSE
 WITHOUT OUR APPROVAL.

Component

Body & COupling Cap
 Center Contact
 Gasket
 Insulator

Material

Stainless Steel
 Brass
 Silicone Rubber
 PTFE

Plating

Gold
 Gold