

PART NUMBER

KCC188136

REV.

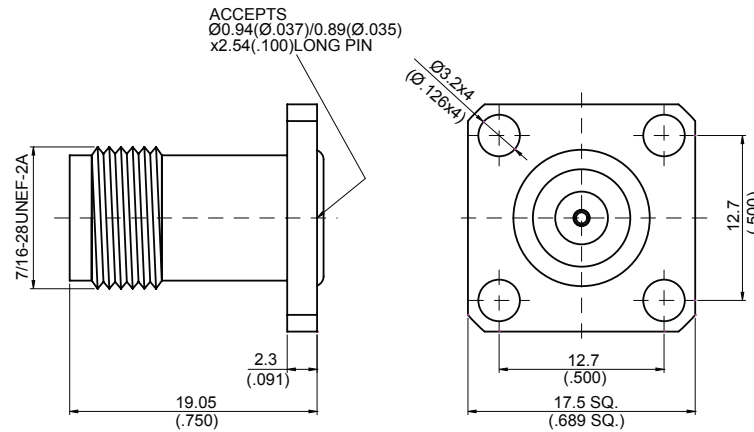
DATE

COMMENTS

INITIAL

Electrical Data

Impedance 50 Ω

RoHS Compliant

Drawing not to scale. Dimensions for reference only

Units: mm (inches)

Konnect RFWWW.KONNECTRF.COM
1-800-790-5887

PART NUMBER

KCC188136

DESCRIPTION

**TNC Straight Female Jack Field Replaceable
Receptacle, 4 Hole Flange Mount**

CAGE CODE

664U0

SIGNATURE

X

THIS DRAWING INCLUDING THE
DESIGNS IS THE PROPERTY OF
KONNECT RF AND IS NOT TO
BE USED FOR ANY PURPOSE
WITHOUT OUR APPROVAL.**Component**Body
Center Contact**Material**Stainless Steel
BeCu**Plating (Micro-Inch)**Passivated
Gold 4 over Nickel Phos.
Alloy 80 over Copper 20Gasket
InsulatorEMI Gasket
PTFE