

PART NUMBER

KCC188087

REV.

DATE

COMMENTS

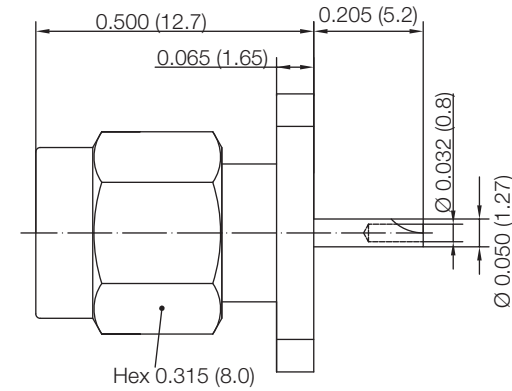
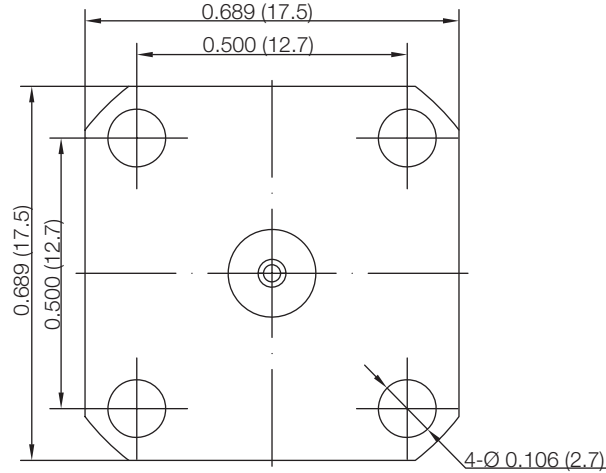
INITIAL

Electrical Data

Impedance	50 Ω
Frequency Range	DC - 6 GHz.
Insertion Loss	0.25 max.
Insulation Resistance	5,000 M Ω
Dielectric Withstanding Voltage	500 VRMS
VSWR	1.3 max.

Mechanical Data

Durability	500 Cycles Min.
------------	-----------------



Drawing not to scale. Dimensions for reference only

Units: inches (mm)

RoHS Compliant**Konnnect RF**

WWW.KONNECTRF.COM
1-800-790-5887

PART NUMBER

KCC188087

DESCRIPTION

SMA Straight Male Plug, 4 Hole Flange Mount (.689"), Solder Pot

CAGE CODE

664U0

SIGNATURE

X

THIS DRAWING INCLUDING THE
DESIGNS IS THE PROPERTY OF
KONNECT RF AND IS NOT TO
BE USED FOR ANY PURPOSE
WITHOUT OUR APPROVAL.

Component

Body & Nut
Center Contact
Insulator
Spring Ring
O-Ring

Material

Stainless Steel
Brass
PTFE
BeCu
Silicone Rubber

Plating/Finish

Passivated
Gold