

PART NUMBER

**KAD187059**

REV.

DATE

COMMENTS

INITIAL

A

02/20/2023

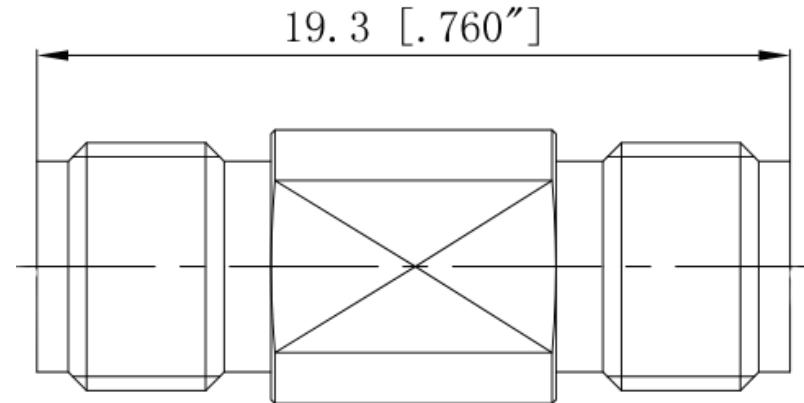
updated Inner Structure &amp; Body

**RoHS Compliant****Electrical Data**

Impedance	50 $\Omega$
Frequency Range	DC - 26.5 GHz.
Insertion Loss	$\leq 0.3$ dB @ 26.5dB
Dielectric Withstanding Voltage	1,000V
VSWR	$\leq 1.20$
	$\geq 5,000M\Omega$

**Mechanical Data**

Durability	500 Cycles Min.
Temperature Range:	-55 °C - 165 °C



Drawing not to scale. Dimensions for reference only

Units: mm (Inches)

**Konnect RF**

WWW.KONNECTRF.COM  
1-800-790-5887

PART NUMBER

**KAD187059**

DESCRIPTION

**Adapter, Between Series, SMA Female Jack to  
2.92mm Female Jack, PSS**

CAGE CODE

**664U0**

SIGNATURE

X

THIS DRAWING INCLUDING THE  
DESIGNS IS THE PROPERTY OF  
KONNECT RF AND IS NOT TO  
BE USED FOR ANY PURPOSE  
WITHOUT OUR APPROVAL.

**Component**

Body  
Center Contact  
Insulator

**Material**

Stainless Steel  
BeCu  
PTFE & PEI

**Plating/Finish**

Passivated  
Gold